

# CONFINED SPACES CATALOGUE

**KNOWING TO PROTECT**



# INNOVATION, QUALITY AND EFFICIENCY: GENESI SOLUTIONS

Via Donizetti,  
109/111 - 24030  
Brembate di Sopra  
(BG) Italy

[info@genesiprotection.com](mailto:info@genesiprotection.com)

T. +39 035 620380  
F. +39 035 6220438

The Genesi system	06
Vertical accesses	18
Horizontal accesses	60

# The journey of Somain Italia Continues with Genesi: KNOWING TO PROTECT

We began on our journey with Somain Italia over 20 years ago, bringing forward a vision: be the arm that saves lives and protects the dreams of those who work.

This vision, nourished by values such as the centrality of human life, the passion for innovation and the commitment to spreading the culture of safety, has marked our growth and development.

Over time, we have gained extensive experience in the field of occupational safety, becoming a benchmark for the design and implementation of solutions that protect the lives of people

working at heights or in confined environments.

We have always upheld the fundamental right to work safely and have been committed to ensuring that all workers can return home safely every day.

Our mission has evolved over time, leading to the creation of Genesi, a group of people representing the sum of the experience, skills and professionalism we have acquired over the years.

Genesi was founded on a desire to redefine customer centrality, responding to their needs with innovative and high quality solutions.

With commitment, enthusias-

sm and spirit of innovation, we have accepted the challenge of constantly improving the safety of those who work in confined spaces and at heights.

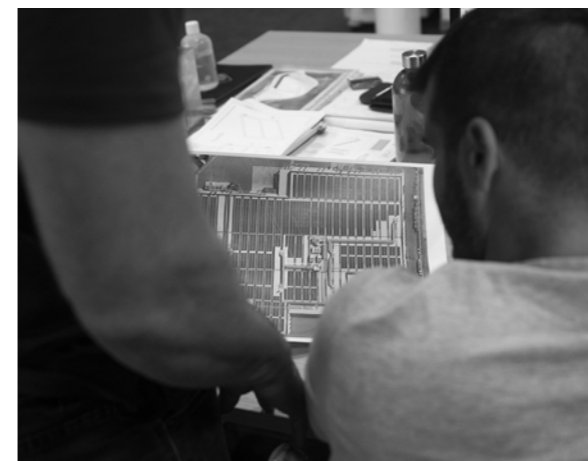
Genesi is not only a manufacturer of protective devices, we are at our customers' side in the consulting phase through the analysis of needs, the definition of solutions through design and installation, the guarantee of full efficiency of the devices through inspection and maintenance, and the care of people by offering education and training with Genesi Academy.

Genesi Academy is the epicentre of interaction, communication and updating for anyone working at heights and in confined environments.

At Genesi Academy you have the opportunity to explore the most suitable solutions for all needs and situations, acquiring the theoretical and practical skills needed to safely handle any scenario.

Our solutions, the result of expertise and passion, have been designed with a primary objective: protect human life.

The objective of Genesi Academy is to spread knowledge through an extensive network of distributed training centres in the territory, with the aim of ensuring the same high standard of quality of the courses provided everywhere.



Genesi is essence – an essence that manifests itself in the path we followed to obtain a series of important certifications.

Our training centre holds IRATA certification, an unmistakable mark of excellence in the field of rope work.

We also hold ISO 9001 certification, which demonstrates our commitment to maintaining a quality management system of the highest standard, and ISO 14001, a symbol of our commitment to reducing the environmental impact of our activities. Lastly, the ISO 45001 certification is confirmation of our dedication to safety at work, through the identification of risks and the adoption of preventive measures, ensuring continuous improvement of the health and safety of our employees and all parties involved.

We have developed a range of cutting-edge products using IoT technology that are always connected and can provide detailed, real-time information.

These devices, together with consultancy services, NFC tags, training and support, are designed to grow with our partners and customers in the management and prevention of accidents at work. Genesi is the evolution of Somain Italia, representing a renewed promise, rooted in twenty years and projected in a constant search for excellence. Genesi expresses our commitment.

It is the place where we work as a team, share goals and values and that makes the difference. Here we grow and discover new opportunities and technologies, thanks to our thirst for innovation.

**Welcome to this new era, the era in which Somain brings Genesi to life.**



## Our Vision

To be the voice that spreads knowledge and conveys the ability to face every work challenge with maximum protection.

## Our Mission

Designing and implementing solutions that integrate training, services and products to protect people's lives. Spreading the culture of the right to safety so that working people can return home safe and sound every day.

## Reliability

Consistently respond to commitments, while knowing how to organise and complete one's work punctually and accurately. Carry out one's task by respecting roles, rules, objectives, methods and processes.

## Skills

Be constantly updated, trained and ready to respond to our customers' needs, quickly and comprehensively. Fulfil tasks and share experiences, while fostering rational and constructive criticism.

## Respect

Safeguard the company's assets and defend our strategic choices, while taking care of people, their ideas, needs and even their time.

## Communication

Know how to listen and ask questions, give and ask for feedback. Be able to share information clearly and concisely, while choosing an effective and appropriate method.

## Sustainability

Know how to change one's habits by utilising resources, investments and technological integration to enhance not only current but also future potential. Meet the needs of the present generation without compromising the ability of future generations to realise their own. Support the well-being of workers by promoting their training and organising inclusive activities with the aim of integration. Protect the environment through small and great daily gestures by reducing waste and making the most of consumables and production materials.

## Innovation

Set ambitious goals and be forward-looking. Seek new goals and overcome difficulties to continue growing. Know how to temporarily eliminate our habits in order to go beyond the customer's needs. Seek improvement in order to continue guaranteeing high levels of quality. Leave nothing to chance.



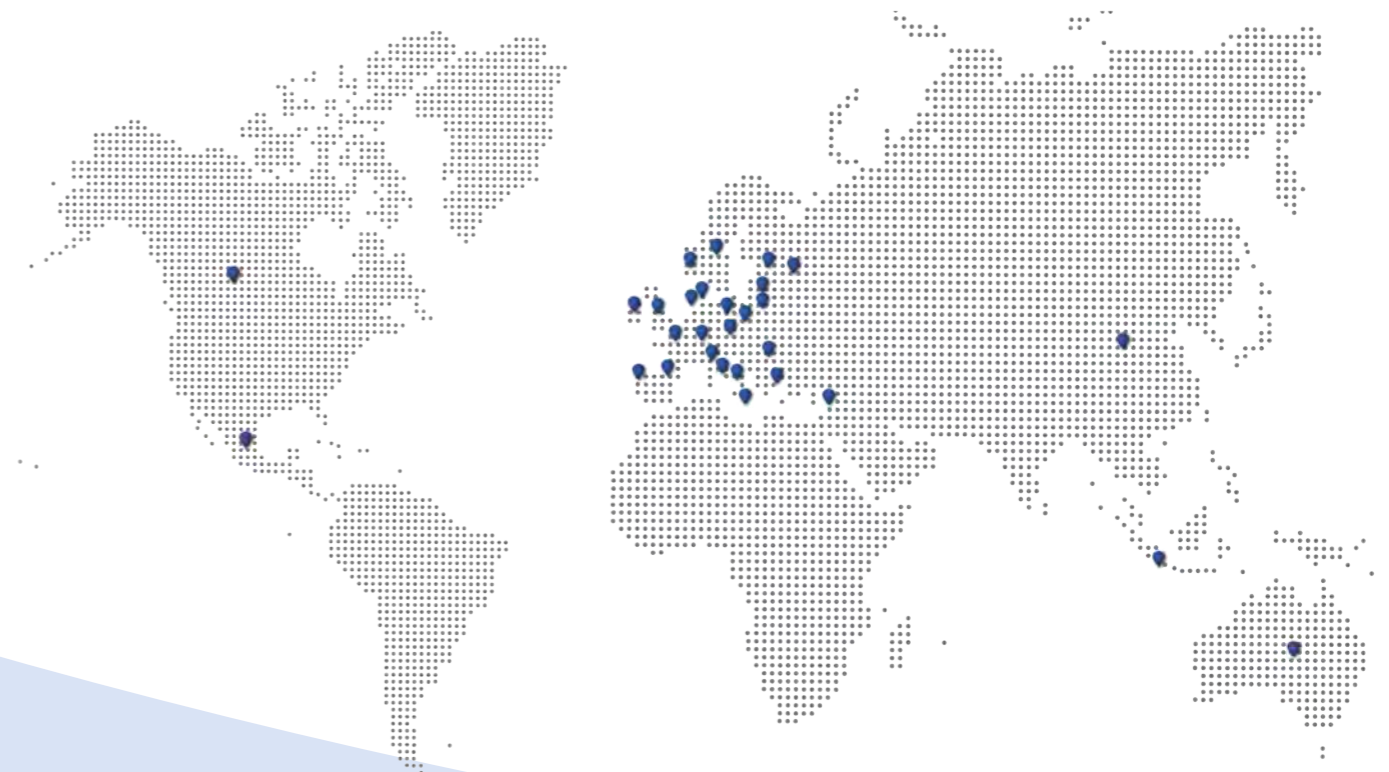
# THE GENESI PARTNERS IN THE WORLD

In an increasingly globalised world, looking beyond national borders means creating new synergies that not only expand business, but also enhance corporate culture and know-how, constantly guaranteeing the quality of projects and installations all over the world, whether they are carried out directly by Genesi or by a partner.

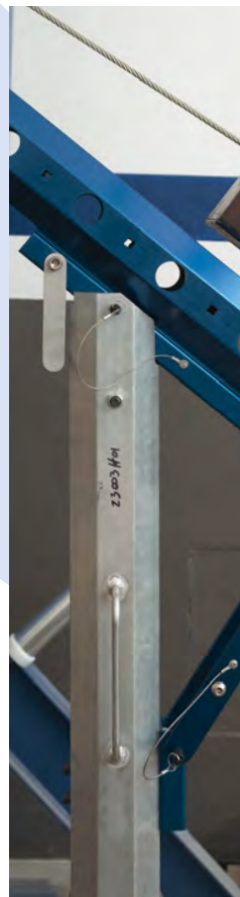
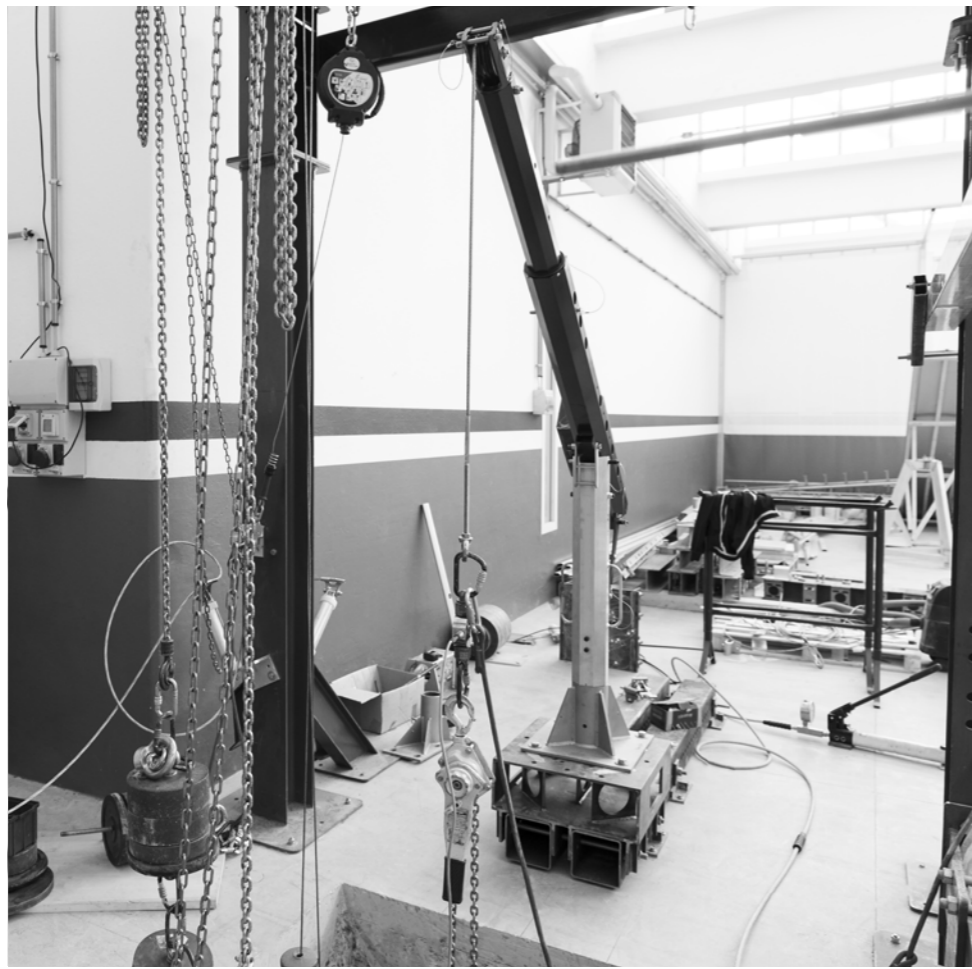
All Genesi solutions are planned and designed to meet the needs of European and non-EU countries,

and the range of solutions and services is ready to respond to the specificities of the different markets and the cultural and regulatory differences of each country.

For this reason, a network of loyal and selected distributors who share the following with Genesi is essential for us: values, objectives and vision. In this continuously updated map, we highlight the worldwide presence of all Genesi partners.



# R&D



The Research and Development Department and the Technical Department are constantly engaged in the design, implementation and certification testing of new safety devices. The ability to constantly provide new solutions, in an increasingly complex and ever-changing environment, is essential to ensure maximum protection and ergonomics.

In particular, the design of our devices involves careful evaluation of the construction materials and finishes that must guarantee maximum protection, structural resistance and resistance to external agents, sustainability, lightness and ease of transport, installation and, above all, use. Each device is designed with a high level of attention to detail to ensure the highest quality.

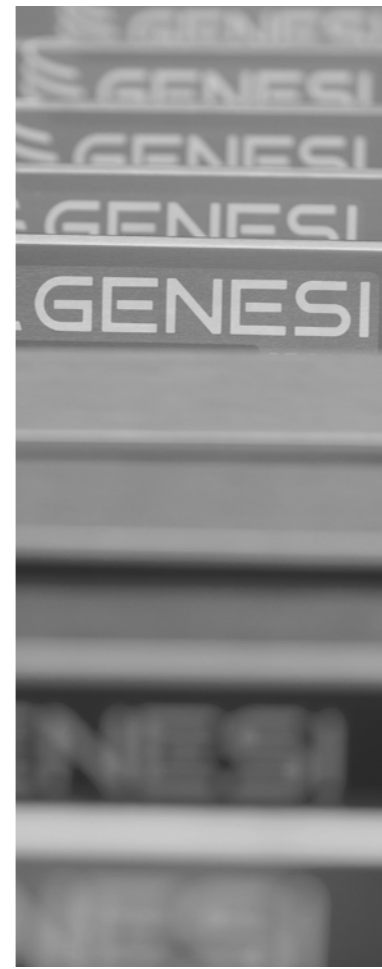
To achieve these results, we use specific state-of-the-art software and a 1500 m<sup>2</sup> area where our devices are subjected to the specific tests required by the sector's technical standards before being tested at third-party laboratories; our devices are only validated when values above the benchmarks are achieved.

### **For Genesi, the quality and effective protection offered by its products is top priority.**

All our devices, whether PPE or personal or collective protection anchor devices, are tested by an independent laboratory and approved by a notified body.

In this way, we always ensure maximum protection for operators working in confined spaces and at heights.

# PRODUCTION



The Production Department works daily with R&D and the Technical Department to develop devices and define the best procedures for assembly, control and product release. All Genesi devices are equipped with NFC to ensure traceability, allowing the end user to access up-to-date documentation in real time via a tablet or smartphone.

### **The Lean philosophy is not a goal, but a process of continuous improvement.**

Genesi's production department is organised according to this philosophy. We use modern equipment to process, treat and mark metals and use state-of-the-art production processes to reduce waste and optimise efficiency. Our warehouse is structured to promptly meet standard product requirements and to quickly and efficiently handle on-demand needs thanks to a large stock of finished and semi-finished products of mobile anchor devices for confined spaces and personal and collective fall protection systems.

### **Innovation is the key to success in an ever-changing market.**

These departments are the driving force behind keeping up with the needs of the market. We are committed to constant innovation to ensure maximum worker protection.



**KNOWLEDGE  
THAT  
PROTECTS**

Genesi Academy aims to spread the culture of safety to all workers.

This is our mission, a motivation fuelled by Genesi's founding values and strengthened by the skills of engineers, technicians, installers and experienced workers at height, combined with the experience of Irata International certified technicians.



In what way?

Genesi Academy has developed a complete and diversified educational offer of training and instruction courses for all those who carry out activities at height and in confined environments, designed to accompany trainees along a growth path that can take them from the first basic notions to the ability to manage one or more work teams in any situation, including emergencies.



We are able to train and instruct operators in working at heights and in confined spaces, and qualify installation and maintenance workers to ensure compliance with local and applicable legislation and technical standards. Genesi Academy is able to deliver its courses directly to the customer, operating in real scenarios or via specially



equipped means (GAM - Genesi Academy Mobile). Genesi Academy has a state-of-the-art training centre on its premises that can reproduce countless scenarios and is IRATA International certified for suspension work. In addition, it has affiliated a number of training centres in Italy that guarantee the same high standard of quality.





GAM HOME TRAINING SERVICE - SERVICE CATALOGUE

# CONFINED SPACES

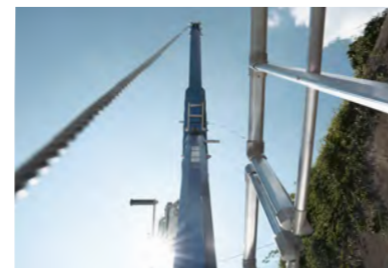
Confined spaces are places that are not designed for the constant presence of operators but require access in specific cases.

In these environments, the risk of serious or fatal injuries is very high, mainly due to the difficulties of entry and exit.

These spaces may also present additional risk factors due to the possible presence of toxic substances, flammable gases and/or vapours, lack or excess of oxygen.



Genesi SCPH Cod. 118-3005-0700 page 62



Genesi SC6NW Cod. 118-3003-0701 page 20



GNSSC-BUMP73 Cod. 121-3008-0001 page 52



## SC RANGE

Genesi SC systems are the result of direct experience in risk assessment, design, installation, use and training in confined environments; they are specially designed to ensure safety, ergonomics and ease of use.

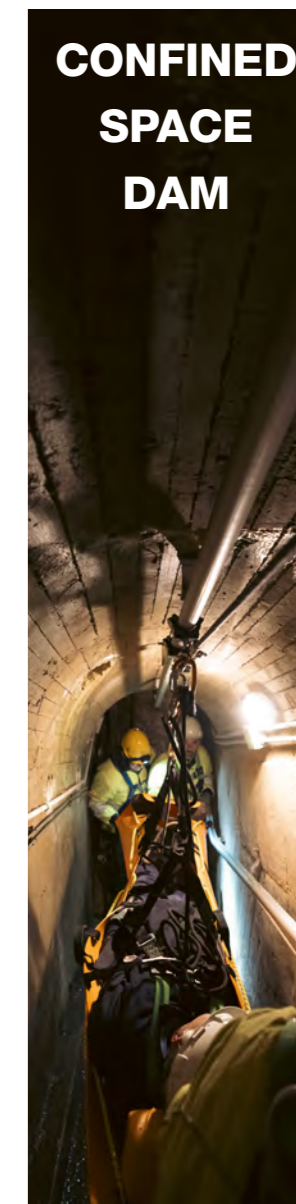
The thorough research and development work, inherent in all Genesi solutions, is also expressed in the wide and versatile range of supports, mobile and fixed, designed to ensure maximum safety regardless of the geometry of the confined space access.

Genesi SC solutions are characterised for being made of a special aluminium alloy, the octagonal shape of the profiles and the characteristic blue anodisation.

These features give Genesi SC solutions maximum lightness, strength and protection.



The NFC system allows end-users easy access to installation and operating instructions and device specification sheets, and makes all production parameters available, thus facilitating periodic control and maintenance operations.



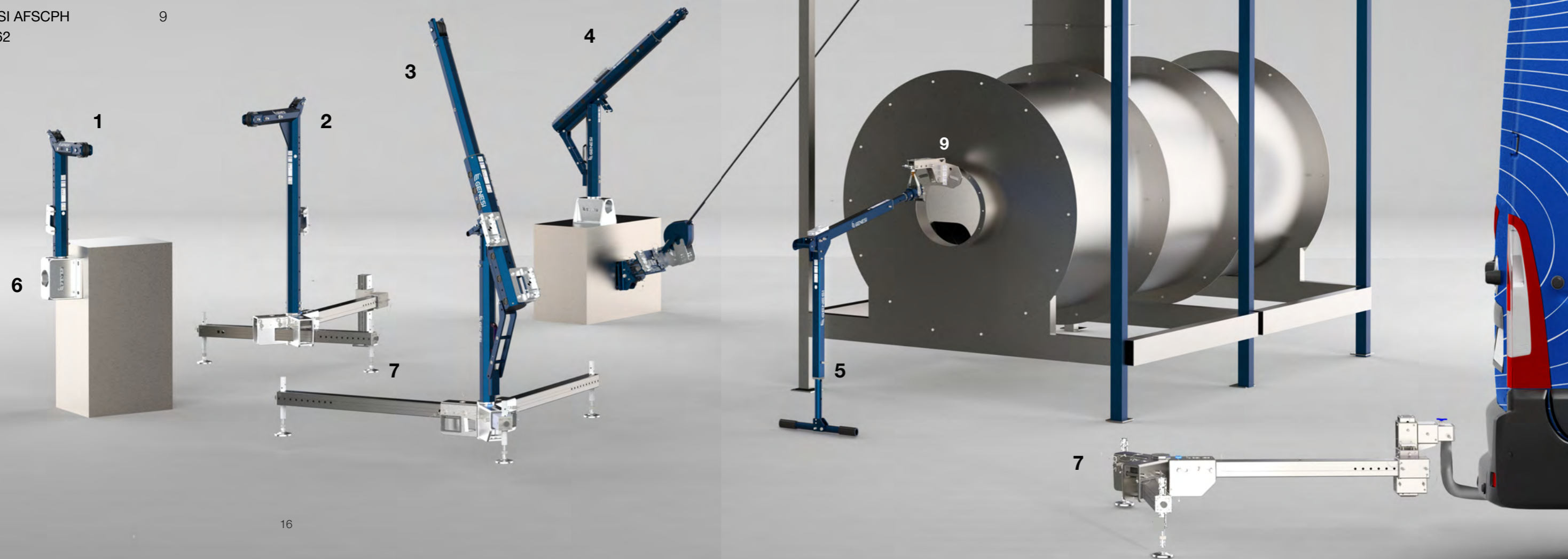
## FEATURES

- Lightness and versatility
- Simplicity and ergonomics of assembly and use
- Surface protection with anodising of components
- Use up to a maximum of 3 operators
- Broad compatibility of components and parts
- Full traceability of components and documentation management with NFC tags
- Reduced risk of human error in use
- Wide range of supports, mobile and fixed, for maximum flexibility in installation and use
- PPE compliance
- Tested for the actual drop of the maximum number of operators allowed for each system in the most unfavourable position
- Production entirely Made in Italy



# CONTENTS

GENESI SC3 page 32	1
GENESI SC6F page 26	2
GENESI SC6NW page 20	3
GENESI SC12NW page 38	4
GENESI SCPH page 62	5
GENESI BUMP page 52	6
GENESI SCTY page 44	7
GENESI ADAORI page 68	8
GENESI AFSCPH page 62	9





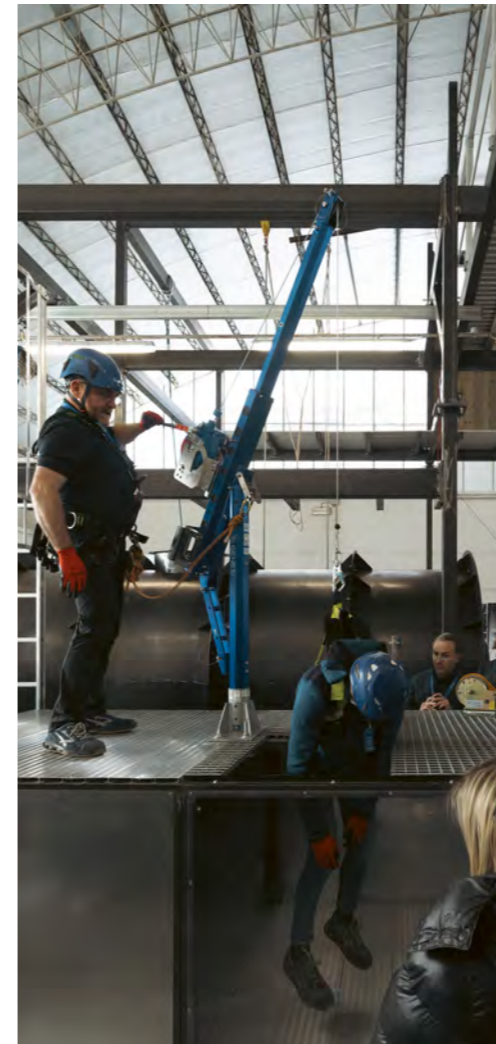
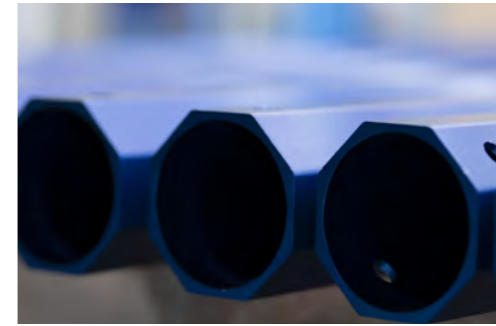
# VERTICAL ACCESS

# GENESI SC6NW

The Genesi SC6NW system is the result of careful design, making it the lightest certified 3-operator solution on the market.

This solution is the result of meticulous research into materials and geometry: the special aluminium alloy, anodisation and octagonal shape optimise performance and allow each of its components to be easily transported by a single person.

The optimisation also involved the installation method, made quick and easy by a housing on the arm to fix it to the pole, so it can be installed by a single operator.



## FEATURES

- Adjustable in 2 arm lengths up to 570 mm
- Standard supply of two attachment plates for retracting lanyards with recovery function or winches
- Equipped with additional anchor point
- Octagonal profile for increased mechanical strength
- Entirely made of anodised aluminium for lightness and protection
- Easy to install and use
- Certified for 3 operators
- Full traceability of components and documentation management with NFC tags

## CONFORMITY

PPE Regulation 2016/425

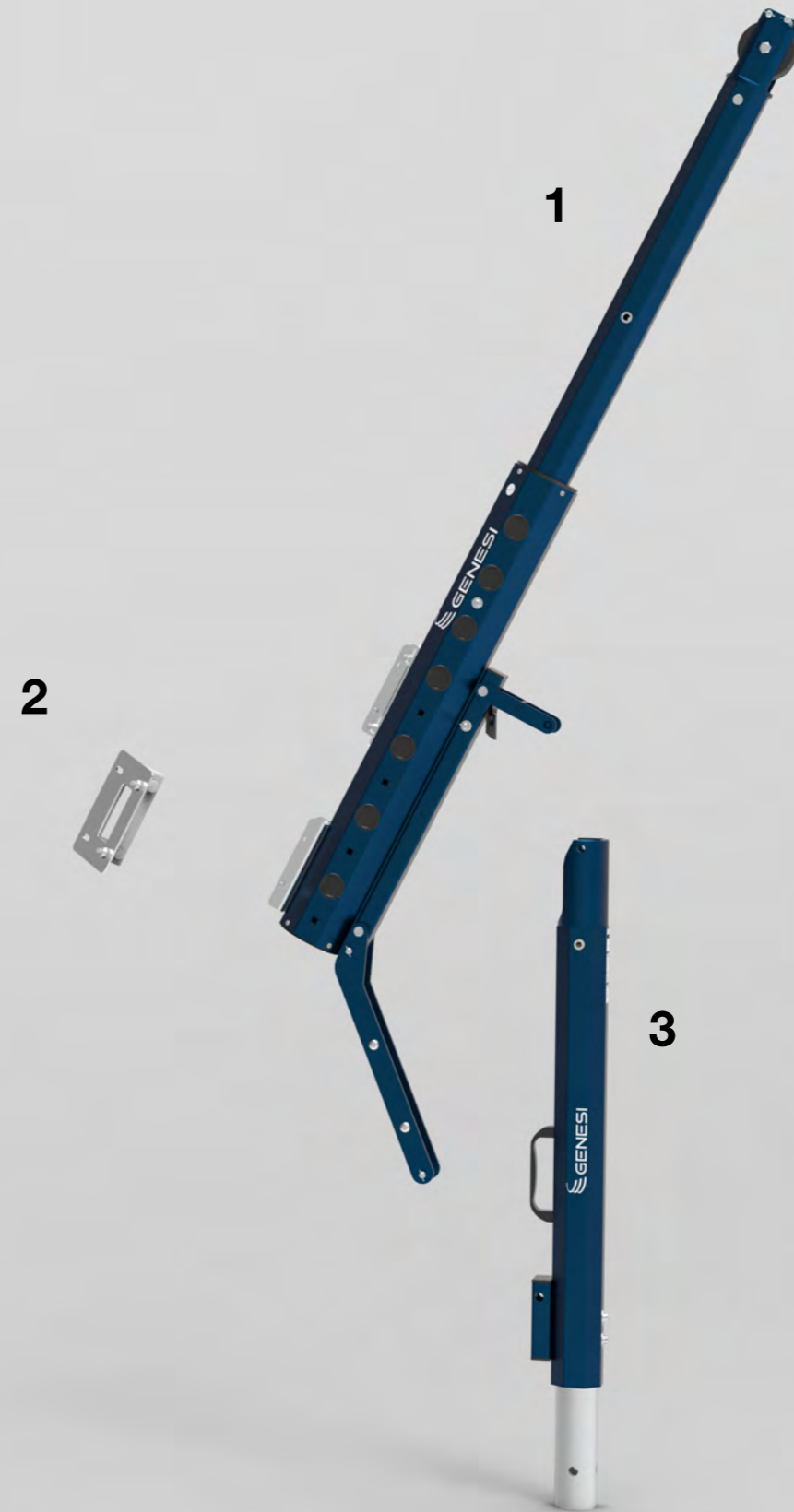
EN795:2012 type B

GEN/TS 16415:2013 type B

# GENESI SC6NW

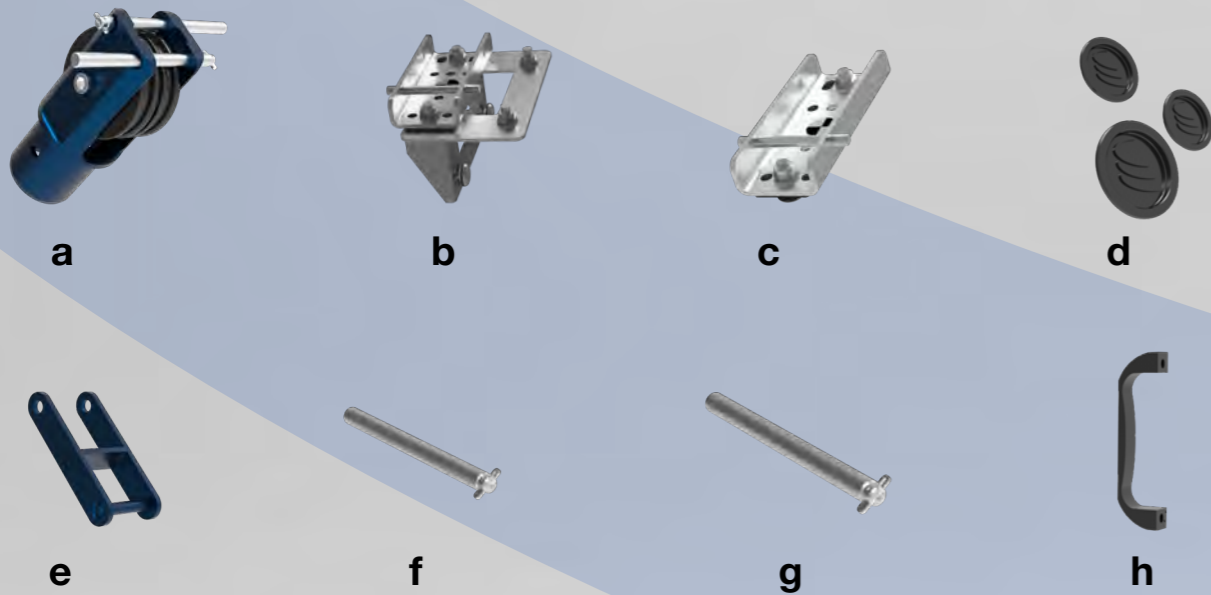
## MAIN COMPONENTS

- 1 . Genesi SC6NW arm (118-3003-0701)
  - a . Pulley assembly (118-3001-1500)
  - b . Offset fall arrest system support (118-3002-1000)
  - c . Universal bracket for fastening adaptors (179-0903-0001)
  - d . Crane arm cap (118-3002-0800)
  - e . Anchor point (118-3003-0400)
  - f . Pin 110mm (661-2023-0004)
  - g . Pin 140mm (661-2023-0005)
- 2 . Optional offset fall arrest system support (118-3002-1000)
- 3 . Genesi SC6-PNW pole (118-3003-1200)
  - h . Black handle (118-3002-1100)



## ACCESSORIES AND SPARE PARTS

**\*\*ATTENTION:** For the correct replacement and/or installation of components, always refer to the device's instruction manual.



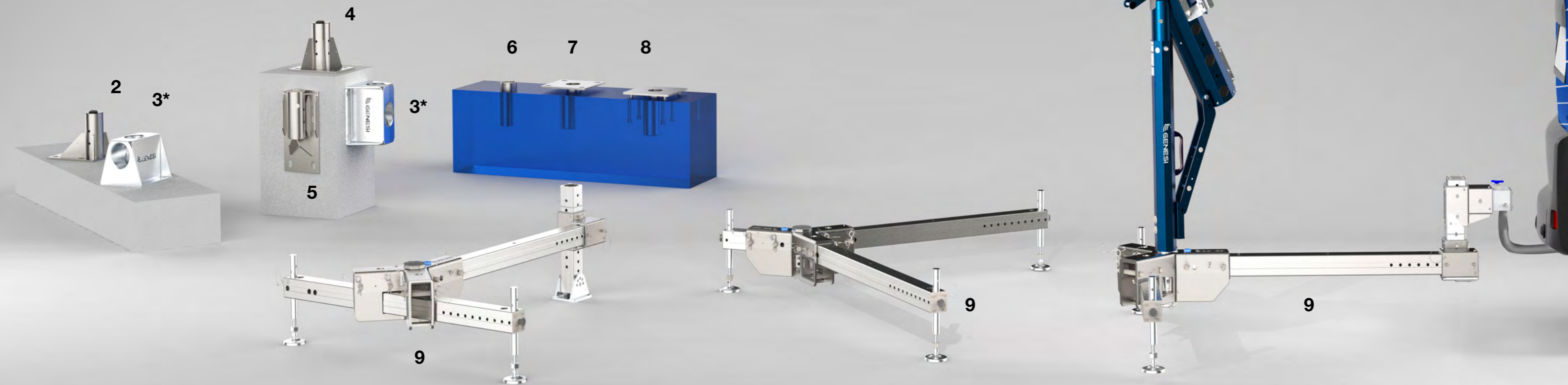
## SUPPORT BASES AND GENESI SCTY SUPPORT FOR GENESI SC6NW, GENESI SC3 AND GENESI SC6F

Genesi SC6NW Davit arm page 20	1	Immersion base for concrete (77 mm) (GNSSC-BCC077) page 58	6
Offset floor base for concrete and steel (77 mm) (GNSSC-BPD077) page 58	2	Concealed base for concrete and steel (77 mm) (GNSSC-BCF077) page 58	7
Universal wall base for all Genesi SC systems (GNSSC-BUMP73)* page 52	3*	Concealed concrete casting base (77 mm) (GNSSC-BCI077) page 58	8
Central floor base for concrete and steel (77 mm) (GNSSC-BPC077) page 58	4	Mobile support system Y and T configuration (GENESI SCTY) page 44	9
Wall base for concrete and steel (77 mm) 5 (GNSSC-BMA077) page 58	5		

\* with PVC adapters available for purchase separately

The Genesi SC6NW Davit arm is designed and certified for use with the dedicated support pole and one of the selectable specific bases, forming a system that ensures reliability in any working context.

With the Genesi SC6NW, security is guaranteed in any type of vertical access; its small dimensions and the wide range of certified bases, fixed and mobile, allow this solution to be extremely versatile and adaptable to many situations.



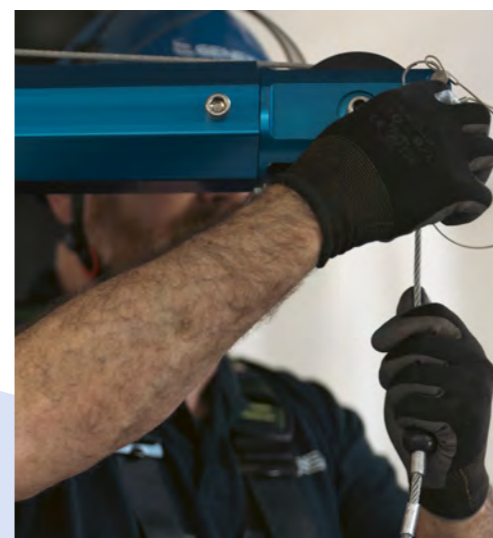
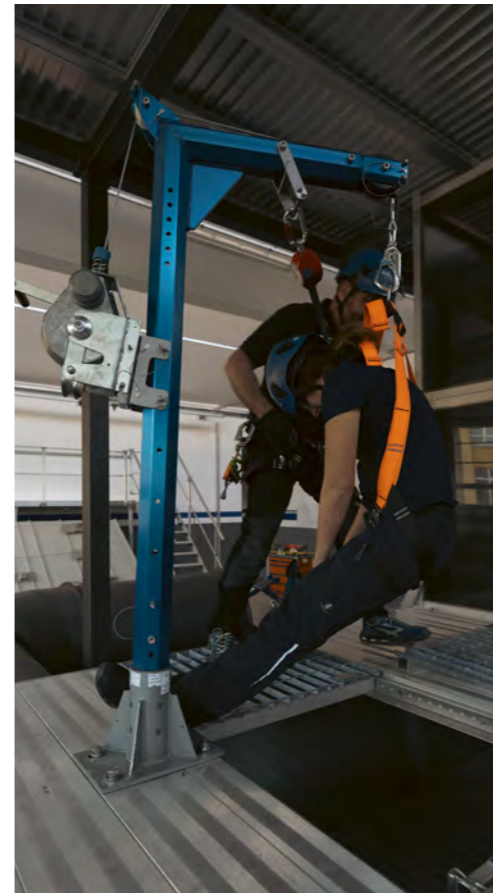
# GENESI SC6F

Safety and functionality come together in the Genesi SC6F device.

This high-performance mobile anchor device boasts a fixed arm with a 620 mm extension and an integrated pole. It excels in providing secure vertical access for up to two operators. Practicality and safety merge to shape the Genesi SC6F crane.

An ergonomic and compact solution comprised of a single lightweight and easy-to-handle block that a single operator can transport.

The Genesi SC6F device is certified to be used by two operators at the same time and is ideal for those looking for a solution that is quick and easy to install.



## FEATURES

- Lightweight and compact
- Standard equipment of a plate for connecting a fall arrest device
- Additional attachment plate for fall arrest device available
- Equipped with additional anchor point
- Octagonal profile for increased mechanical strength
- Entirely in anodised aluminium
- Easy to install and use
- Certified for 2 operators
- Full traceability of components and documentation management with NFC tags

## CONFORMITY

PPE Regulation 2016/425

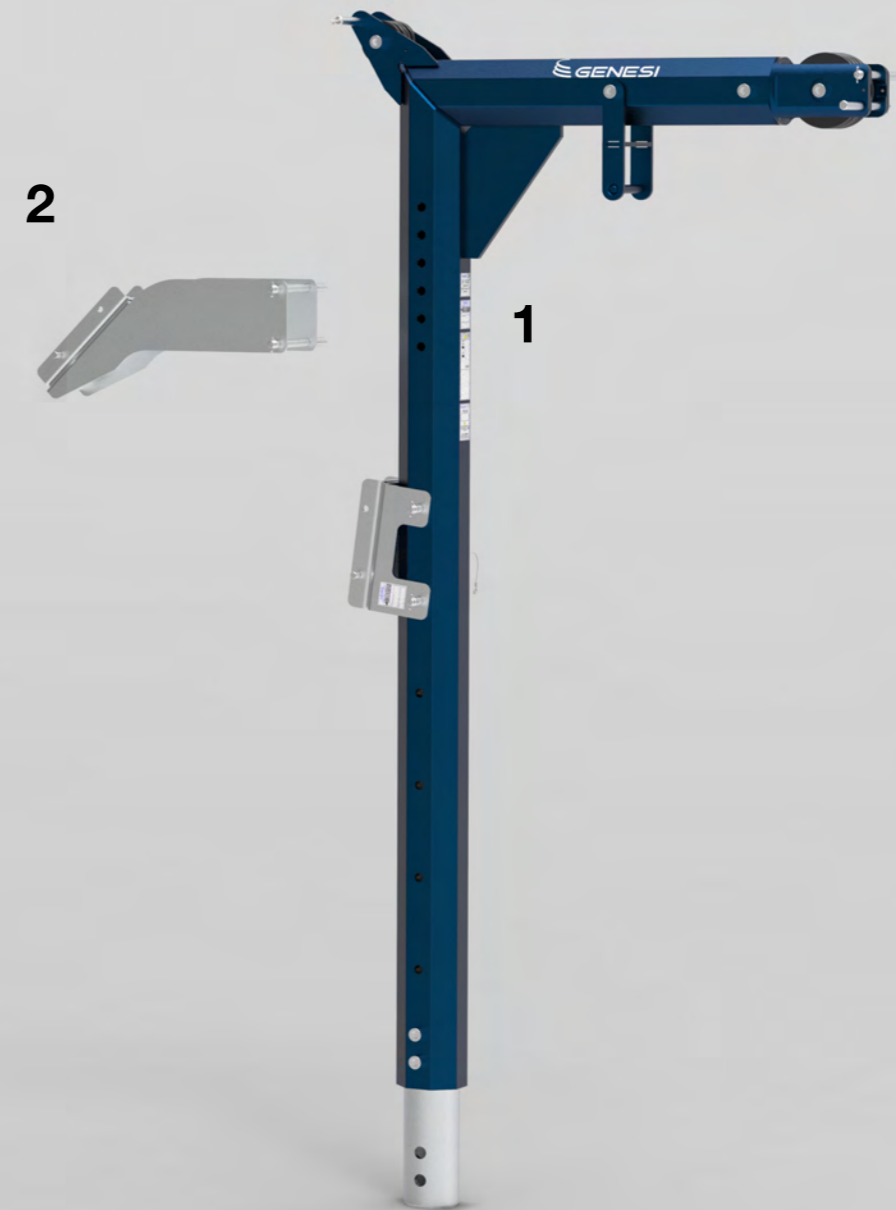
EN795:2012 type B

CEN/TS 16415:2013 type B

# GENESI SC6F

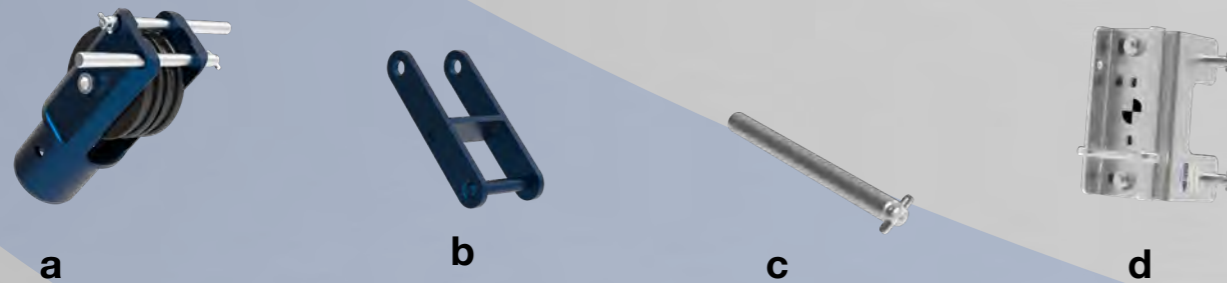
## MAIN COMPONENTS

- 1 . Genesi SC6F arm (118-3004-0700 )
  - a . Pulley assembly (118-3001-1500)
  - b . Anchor point(118-3001-0400)
  - c . Pin 110mm (661-2023-0004)
  - d . Standard fall arrest system support (118-3001-1200)
2. Optional fall arrest system support (118-3001-1100)



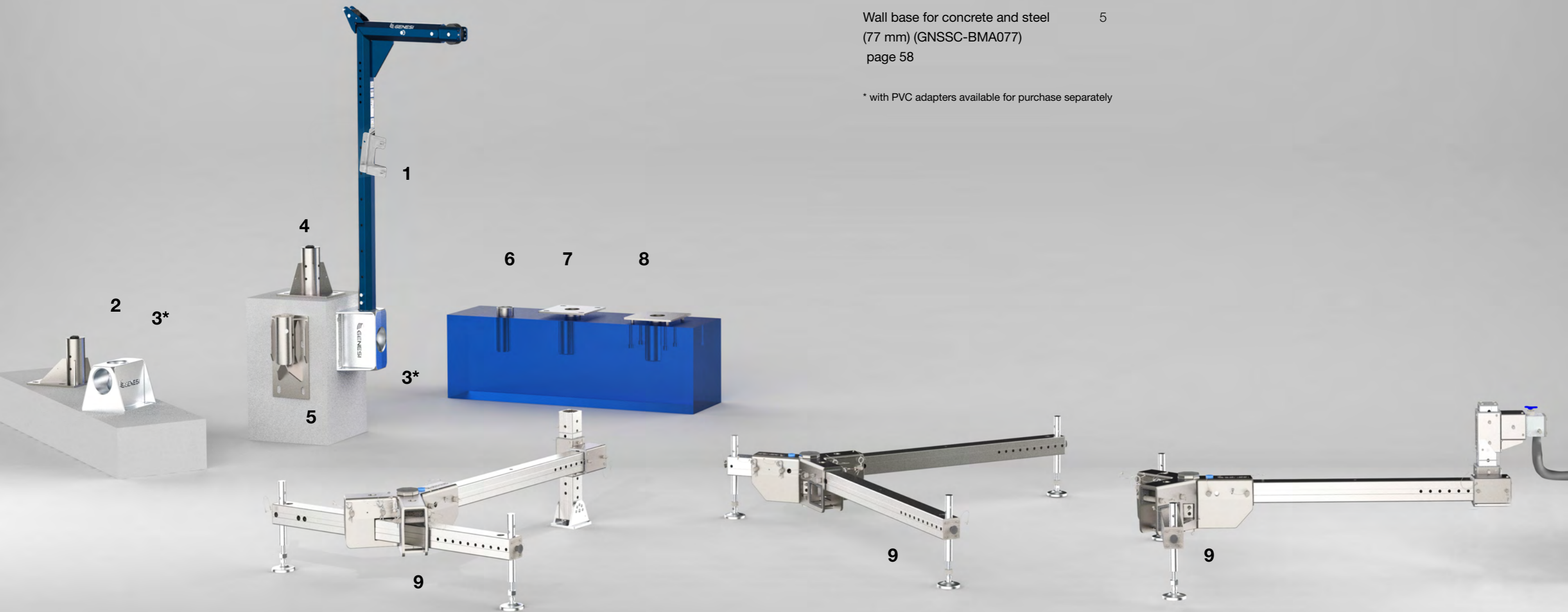
## ACCESSORIES AND SPARE PARTS

**\*\*ATTENTION:** For the correct replacement and/or installation of components, always refer to the device's instruction manual.



## SUPPORT BASES AND GENESI SCTY SUPPORT FOR GENESI SC6F, GENESI SC6NW AND GENESI SC3

The SC6F mobile anchor device's wide range of certified bases allows it to be adapted to any type of working environment, and with its compact dimensions and excellent performance it is ideal for those looking for a solution that is quick and easy to install.



Genesi SC6F Davit arm page 26	1	Immersion base for concrete (77 mm) (GNSSC-BCC077) page 58	6
Offset floor base for concrete and steel (77 mm) (GNSSC-BPD077) page 58	2	Concealed base for concrete and steel (77 mm) (GNSSC-BCF077) page 58	7
Universal wall base for all Genesi SC systems (GNSSC-BUMP73)* page 52	3*	Concealed concrete casting base (77 mm) (GNSSC-BCI077) page 58	8
Central floor base for concrete and steel (77 mm) (GNSSC-BPC077) page 58	4	Mobile support system Y and T configuration (GENESI SCTY) page 44	9
Wall base for concrete and steel (77 mm) (GNSSC-BMA077) page 58	5		

\* with PVC adapters available for purchase separately



# GENESI SC3

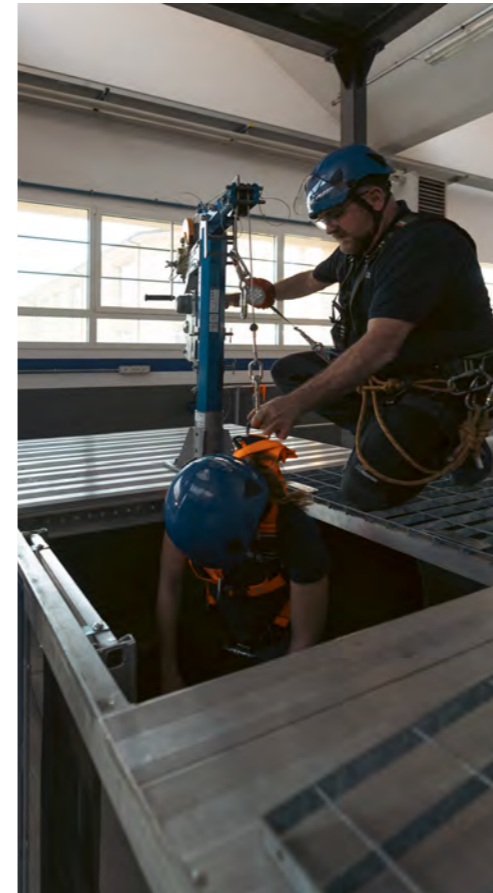
Security and functionality converge in the Genesi SC3 device.

This compact, high-performance mobile anchor device features a fixed arm with a 380 mm extension and integrated pole. It is particularly effective in providing safe vertical access for up to three operators in confined spaces with limited outdoor space.

Reliability and versatility characterise Genesi SC3, designed to provide adequate support in the most demanding working environments.

A perfect balance of intelligent design and robustness, always combining Made in Italy quality.

When spaces get tight, Genesi SC3 emerges as the most effective solution to neutralise potential risks in confined spaces.



## FEATURES

- Lightweight and compact
- Standard equipment of a plate for connecting a fall arrest device
- Additional attachment plate for second fall arrest device available
- Equipped with additional anchor point
- Octagonal profile for increased mechanical strength
- Entirely in anodised aluminium
- Easy to install and use
- Certified for 3 operators
- Full traceability of components and documentation management with NFC tags

## CONFORMITY

PPE Regulation 2016/425

EN795:2012 type B

CEN/TS 16415:2013 type B

# GENESI SC3

## MAIN COMPONENTS

- 1 . Genesi SC3 Davit arm (118-3001-0700)
  - a . Pulley assembly (118-3001-1500)
  - b . Anchor point (118-3001-0400 )
  - c . Pin 110mm (661-2023-0004 )
  - d . Standard fall arrest system support (118-3001-1200)
- 2 . Optional fall arrest system support (118-3001-1100)

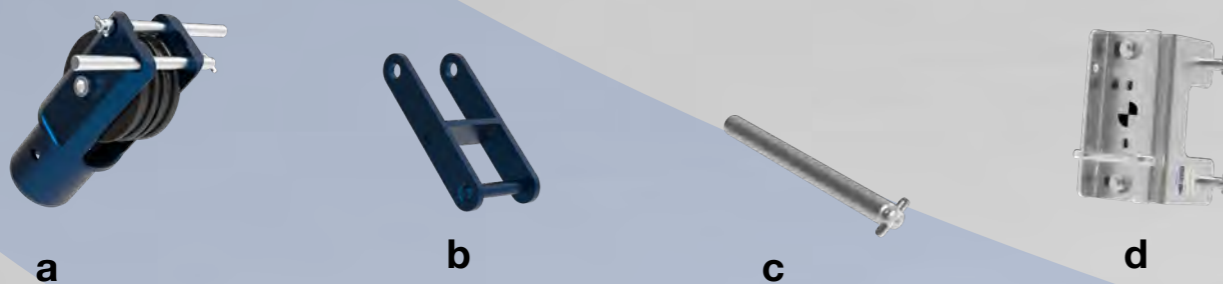
### Optional supports, to be chosen according to the distance to be covered:

- 3 . Genesi SC3P-560 extension pole (118-3001-0500)
- 4 . Genesi SC3P-990 extension pole (118-3001-0600)



## ACCESSORIES AND SPARE PARTS

**\*\*ATTENTION:** For the correct replacement and/or installation of components, always refer to the device's instruction manual.



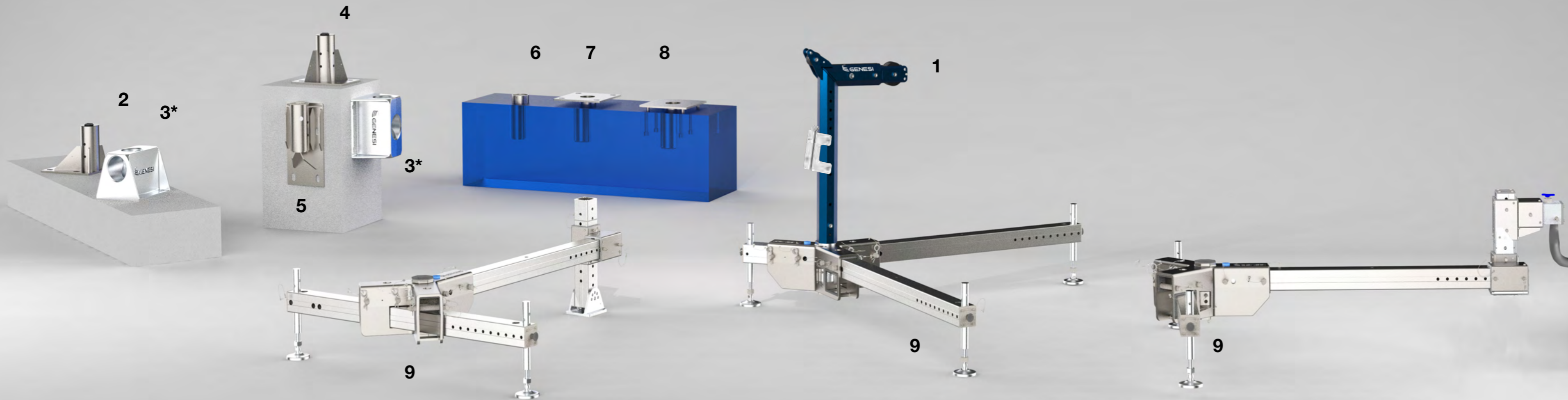
## SUPPORT BASES AND GENESI SCTY SUPPORT FOR GENESI SC3, GENESI SC6NW AND GENESI SC6F

The Genesi SC3 system is designed and certified to be used with two dedicated extensions: SC3P-560, which allows the crane to be raised by 560 mm, and SC3P-990, which increases the height by 990 mm.

The wide range of bases certified for use with the SC3 mobile anchor device allows it to be adapted to all types of working contexts, and with its small size and excellent performance it is ideal for situations with limited movement space.

Genesi SC6NW Davit arm page 20	1	Immersion base for concrete (77 mm) (GNSSC-BCC077) page 58	6
Offset floor base for concrete and steel (77 mm) (GNSSC-BPD077) page 58	2	Concealed base for concrete and steel (77 mm) (GNSSC-BCF077) page 58	7
Universal wall base for all Genesi SC systems (GNSSC-BUMP73)* page 52	3*	Concealed concrete casting base (77 mm) (GNSSC-BCI077) page 58	8
Central floor base for concrete and steel (77 mm) (GNSSC-BPC077) page 58	4	Mobile support system Y and T configuration (GENESI SCTY) page 44	9
Wall base for concrete and steel (77 mm) (GNSSC-BMA077) page 58	5		

\* with PVC adapters available for purchase separately



# GENESI SC12NW

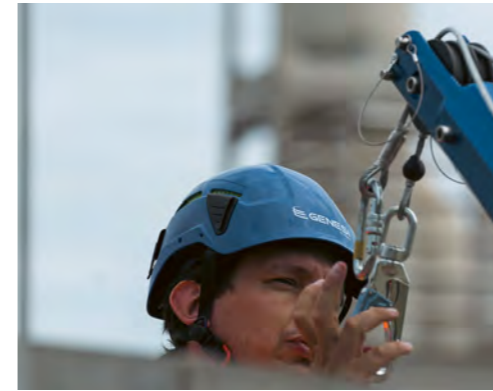
Stability, versatility and safety are the main features of the Genesi SC12 NW system.

Thanks to its telescopic arm, it can reach 1200 mm extension with intermediate adjustments to 782 and 918 mm.

The versatile reach provides a secure anchor point and ensures safety even in the case of distant access points or the presence of obstacles or obstructions.

The device has been carefully designed down to the smallest detail to be ergonomic, easy to handle, simple to assemble and as light as possible to make every intervention safe, effective and efficient.

The octagonal structure and anodised aluminium of the Genesi SC12 NW make it an extremely durable and lightweight solution capable of protecting up to 3 operators at the same time.



## FEATURES

- Adjustable in 3 arm lengths up to 1200 mm
- Standard supply of two attachment plates for retracting lanyards with recovery function or winches
- Equipped with additional anchor point
- Octagonal profile for increased mechanical strength
- Entirely made of anodised aluminium for lightness and protection
- Easy to install and use
- Certified for 3 operators
- Full traceability of the components and documentation management with NFC tags

## CONFORMITY

PPE Regulation 2016/425

EN795:2012 type B

CEN/TS 16415:2013 type B

# GENESI SC12NW

## MAIN COMPONENTS

1 . Genesi SC12NW Davit arm (118-3002-0701)

- a. Pulley assembly (118-3001-1500)
- b. Anchor point (118-3003-0400)
- c. Offset fall arrest system support (118-3002-1000)
- d. Universal bracket for fastening adapters (179-0903-0001)
- e. Crane arm cap (118-3002-0800)
- f. Pin 110mm (661-2023-0004)
- g. Pin 140mm (661-2023-0005)

2 . Genesi SC12-PNW pole (118-3002-1200)

- h. Maniglia nera (118-3002-1100)

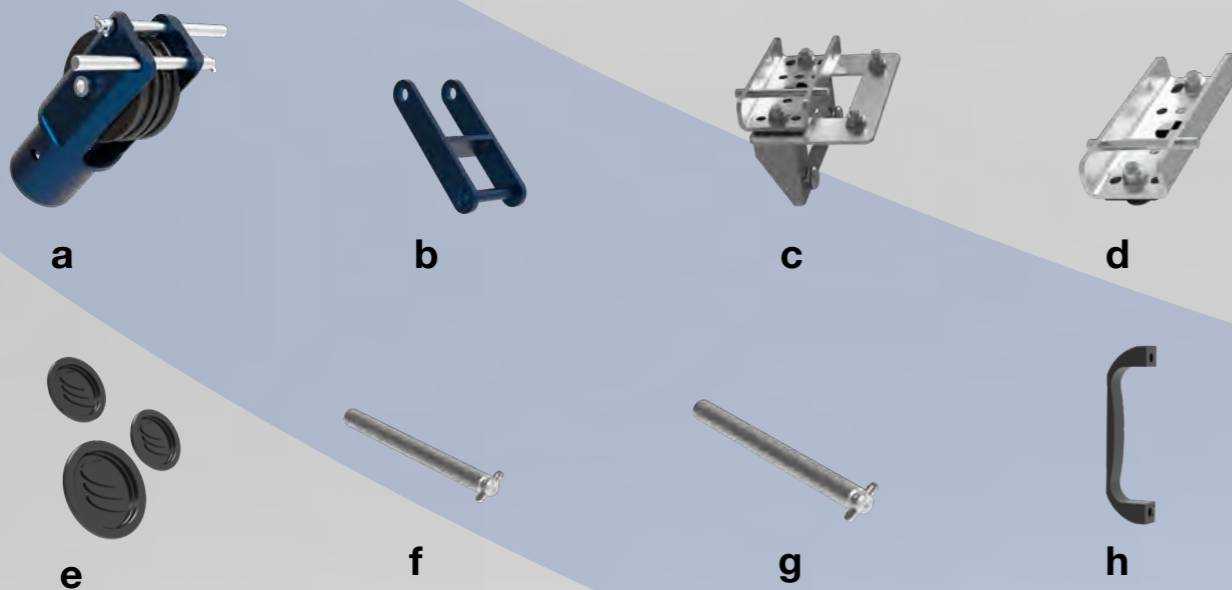
3 . Optional offset fall arrest system support (118-3002-1000)

### Optional support:

4 . Extension pole SC12P-575 (118-3002-0600)

## ACCESSORIES AND SPARE PARTS

**\*\*ATTENTION:** For the correct replacement and/or installation of components, always refer to the device's instruction manual.



## SUPPORT BASES FOR GENESI SC12NW

The Genesi SC12 NW arm is designed and certified for use with the dedicated support pole and one of the selectable specific bases, forming a system that ensures reliability in any working context.

The multiple types of bases and accessories available are another distinguishing feature of the Genesi SC12 NW system.

With the SC12P-575 extension pole, the height of the system can be increased by 575 mm, providing an effective response to specific elevation requirements.

The flexible architecture of the Genesi SC12NW combines with the quality of Made in Italy to guarantee a superior level of protection in every working scenario.



# GENESI SCTY

Uniqueness and innovation meet efficiency and versatility in the new Genesi SCTY solution.

This unique solution is designed to provide different configurations with a single product: self-supporting, floor-mounted or towing hook fastening, Genesi SCTY fits perfectly, meeting every need with a single system and doing so quickly and easily. Genesi SCTY is the embodiment of the Genesi philosophy – quality and innovation without compromise.

Genesi SCTY ensures seamless integration, guaranteeing unparalleled readiness for action.

Every detail has been taken care of to ensure maximum flexibility, allowing the protection of different operators depending on the mobile device chosen.



## UNIQUENESS MEETS VERSATILITY: GENESI SCTY

# GENESI SCTY

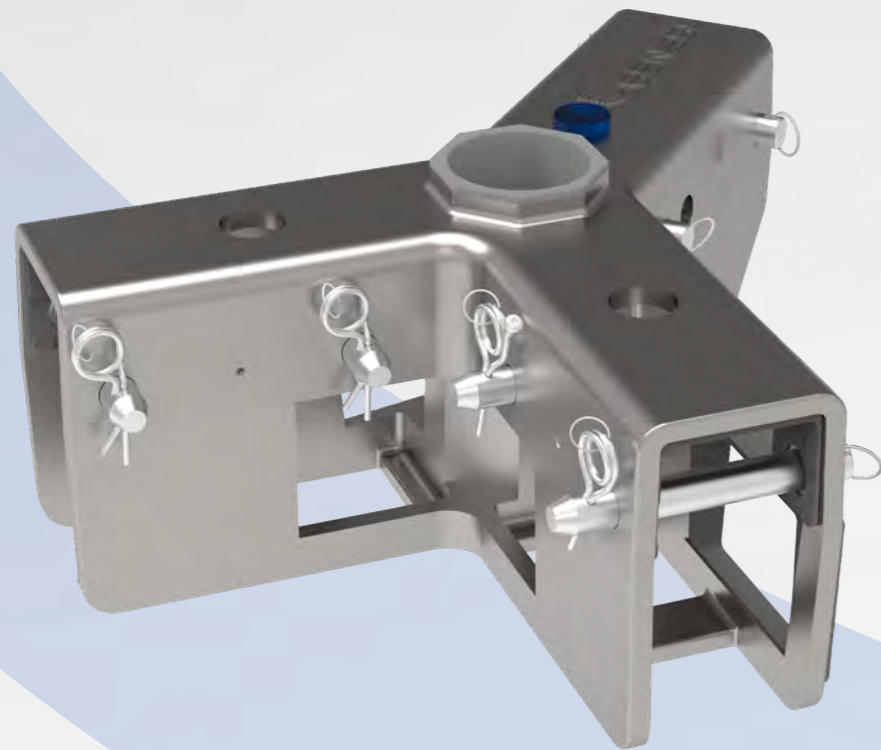
The Genesi SCTY support system in all three configurations is compatible with Genesi SC6NW (equipped with its own Genesi SC6-PNW pole), Genesi SC6F and Genesi SC3 (with or without extension).

The Genesi SCTY support is suitable for SC3, SC6F and SC6NW.

Genesi SCTY not only offers versatile functionality, but also ensures precision, speed and stability at every stage of installation.

This is achieved through the use of a built-in spirit level, adjustable feet and practical PINs that ensure assembly without the need for special tools.

The Genesi SCTY accessories allow them to adapt to all scenarios quickly and effectively.



- Versatility
- Multiple adjustments
- Three configurations
- Easy to install and use
- Entirely in aluminium
- Certified for 2 or 3 operators
- Full traceability of the components and documentation management with NFC tags

## CONFORMITY

PPE Regulation 2016/425

EN795:2012 type B

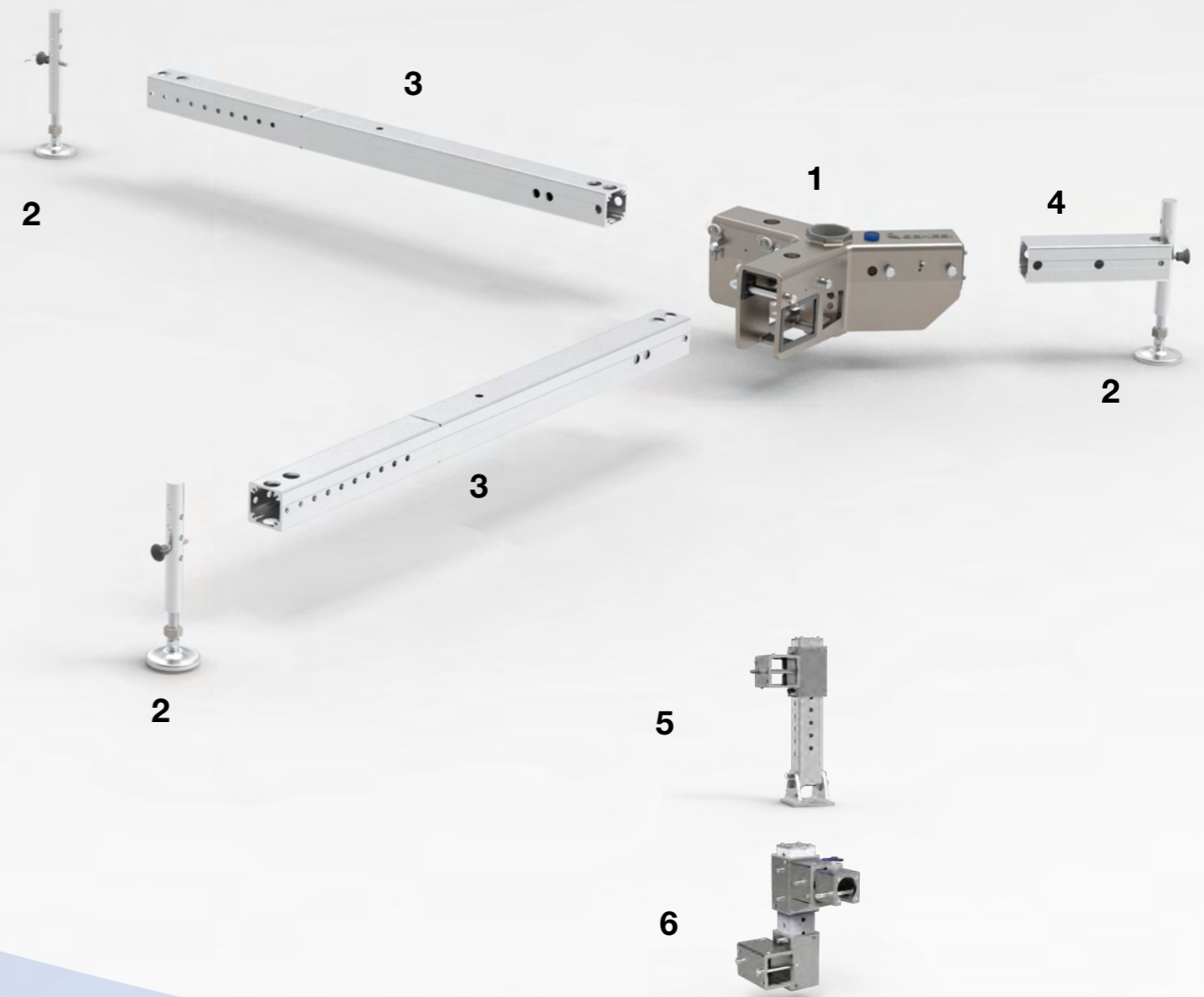
CEN/TS 16415:2013 type B

## ... THE POSSIBILITIES MULTIPLY

The complete Genesi SCTY system consists of the following main elements:

- 1 - GNSSC central core (1 unit)
- 2 - Adjustable and swivelling support feet (3 units)
- 3 - Main stabilisation bars (2 units) from 1300 mm
- 4 - Self-supporting stabilisation bar (1 unit)
- 5 - GNSSC-FIXM16 ground mounting configuration accessory
- 6 - Towing hook configuration accessory GNSSC-FIXVAN

**\*\*ATTENTION:** For the correct replacement and/or installation of components, always refer to the device's instruction manual.



Accessories 5 and 6 sold separately



## SELF-SUPPORTING CONFIGURATION.

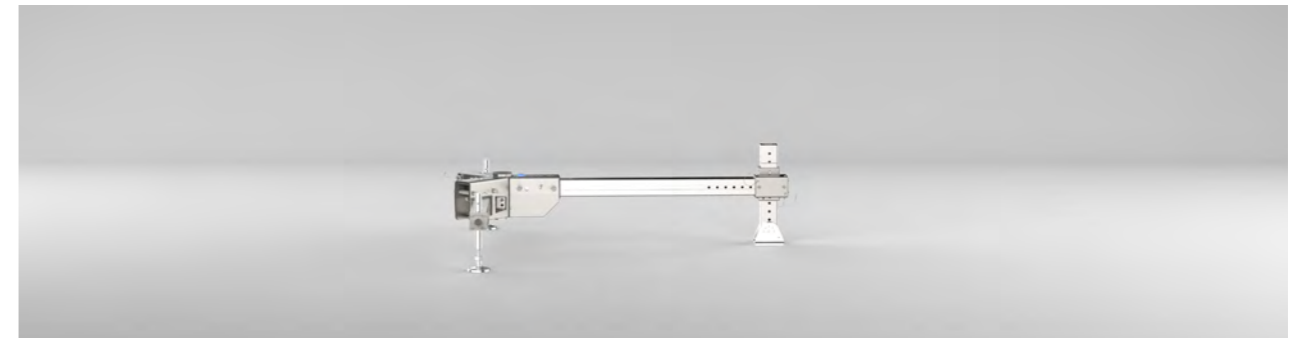


Depending on the geometric access configuration and distance, the main elements can be mounted in one of the configurations shown on the following pages.

Mounting the elements in a self-supporting configuration provides a stable and secure support for the installation of one of the planned mobile devices and securing the elements with security PINs.



## FLOOR-MOUNTED CONFIGURATION.



The assembly of the elements in a T configuration with ground-mounting allows you to fasten the system to the ground via an M16 fastening, using the GNSSC-FIXM16 accessory, (sold separately), the rear extension fixed to the structure by means of an M16 fastening.

An adjustable floor fastener model GNSSC-FIXM16 (sold separately) is required for mounting in this configuration.

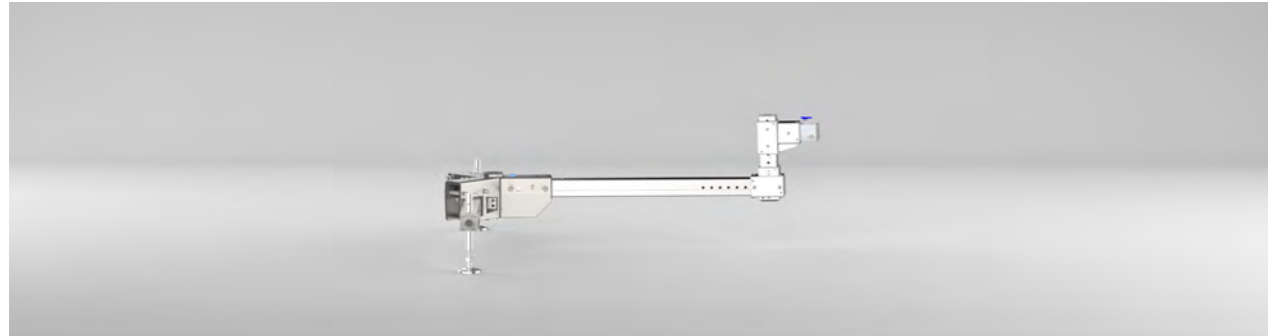


Code 122-3014-1001

GNSSC-FIXM16



## TOWING HOOK FASTENING CONFIGURATION.



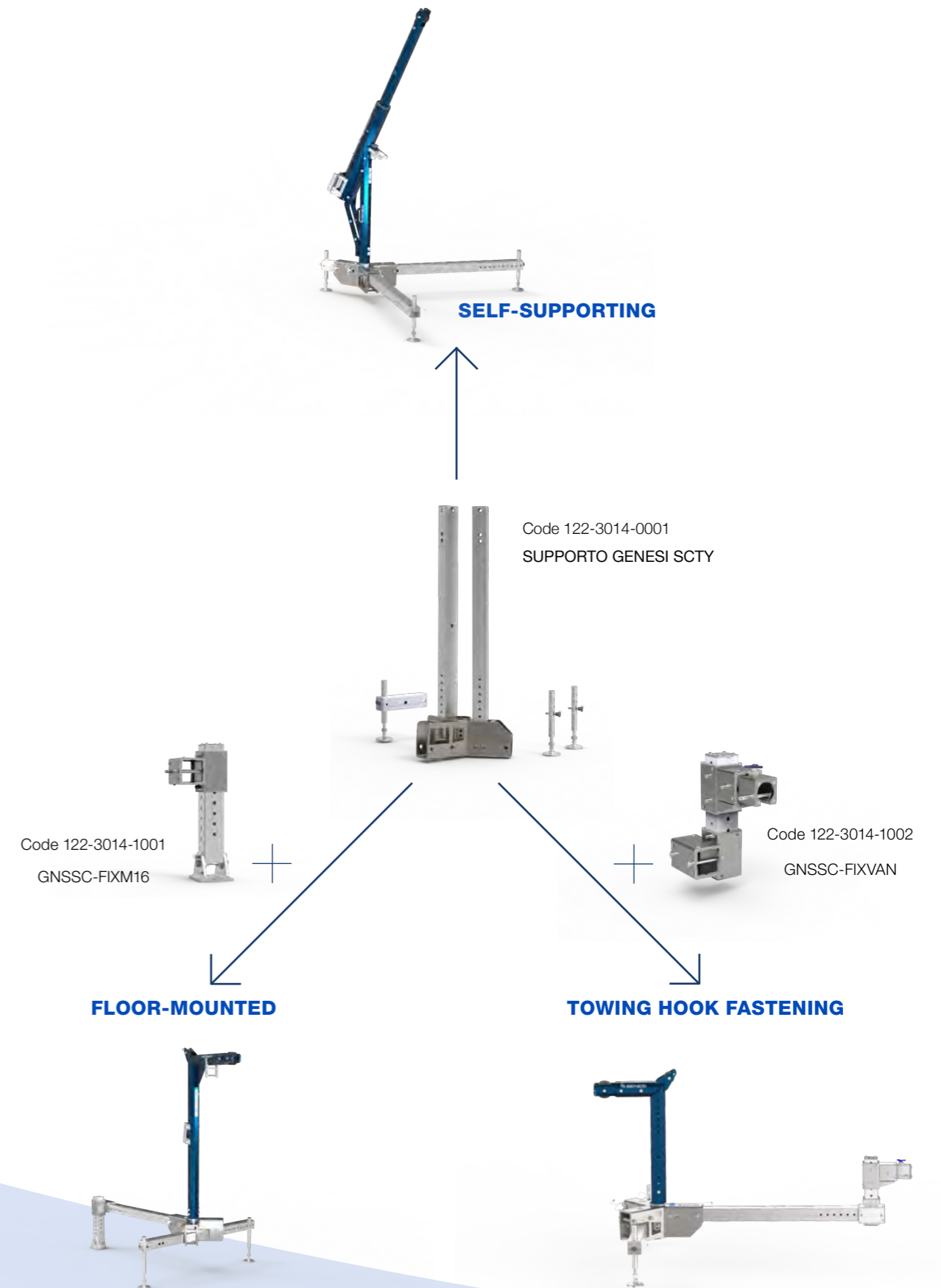
Mounting the elements in a T-configuration with towing hook fastening allows the system to be attached to the towing hook of a suitable vehicle via the GNSSC-FIXVAN accessory (sold separately).



Code 122-3014-1002  
GNSSC-FIXVAN

## POSSIBLE CONFIGURATIONS:

Self-supporting, floor-mounted, towing hook fastening.



# SUPPORT BASES FOR SC12NW - SC6NW - SC6F - SC3

REDUCE THE  
SUPERFLUOUS,  
CHOOSE THE  
ESSENTIAL:

## GNSSC-BUMP73



6 IN 1



BUMP73 is the patent-pending solution that can be used for both wall and floor installation, and is made from a single aluminium body to ensure exceptional mechanical and chemical resistance.

BUMP73 is the epitome of design to meet a wide range of needs in a single solution.

This base is ideal for all Genesi SC systems.

Its lightness and robustness facilitate installation in any context, while ensuring a high level of safety and durability.

Flexibility is a distinctive feature of BUMP73, through the use of specific adapters, it can support the Genesi SC3, Genesi SC6NW, Genesi SC6F mobile anchoring devices or the Genesi SC12NW device.

With BUMP73, Genesi proposes a solution that combines innovation, practicality and resistance, guaranteeing the excellence of Made in Italy, elevating performance and versatility, and providing a revolutionary solution of its kind.

- Offset floor base 77mm
- Offset floor base 103mm
- Centred floor base 77mm
- Centred floor base 103mm
- Wall base 77mm
- Wall base 103mm

BUMP universal base

## BUMP BASES COMPATIBILITY

Genesi SC12NW page 38	1
Genesi SC6F page 26	2
Genesi SC3 page 32	3
Genesi SC6NW page 20	4
BUMP universal base page 52	5





## N. OF OPERATORS

- 3 when used with SC12NW
- 3 when used with SC6NW
- 2 when used with SC6F
- 3 when used with SC3

## FEATURES:

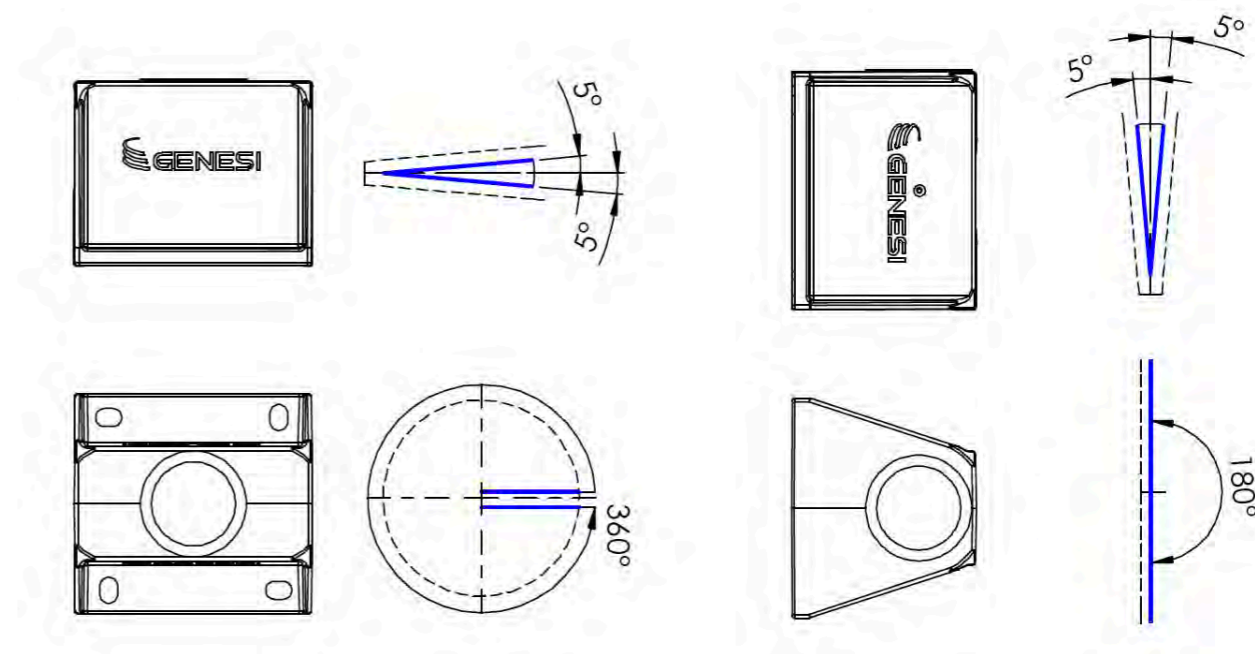
- Versatility
- Lightness
- Compactness
- Easy to install
- Entirely in aluminium
- Certified for 2 or 3 operators
- Can be used with all Genesi SC devices
- Full traceability of the components and documentation management with NFC tags



The BUMP73 universal base is distinguished by its material, lightness and versatility.

It can be installed horizontally and on the wall and, thanks to PVC adapters, can be used with our entire range of cranes.

\* with PVC adapters available for purchase separately



BUMP73 allows a working angle of 360° with floor mounting and 180° with wall mounting.

The BUMP universal base is distinguished from all bases on the market by its versatility. It can be used flat and wall-mounted and, thanks to PVC adapters, it can be used with our entire range of cranes, thus replacing 6 standard bases and reducing storage space.

## CONFORMITY

Standard EN795:2012 type B and CEN/TS 16415:2013 type B

PPE Regulation - 2016/425 FORM B and C2

## COMPATIBILITY

- Genesi SC12NW
- Genesi SC6NW
- Genesi SC6F
- Genesi SC3



**1** COD. 121-3008-0001  
UNIVERSAL BASE  
BUMP73

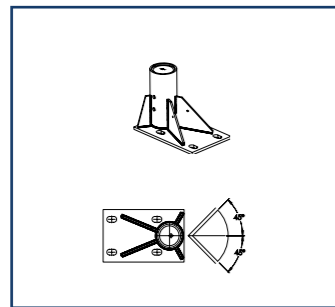
**2** COD. 171-3903-0004  
77 mm DIAMETER ADAPTER in PVC for  
universal base, for GENESI SC3 - SC6F  
- SC6 - SC6NW

**3** COD. 171-3903-0003  
PVC DIAMETER ADAPTER 103 mm for  
universal base, for GENESI SC12 and  
SC12NW

# BASES

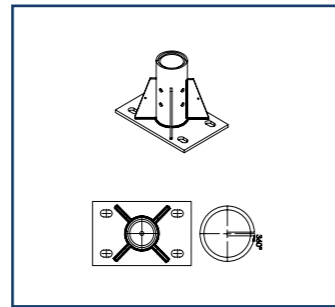
## TECHNICAL CHARACTERISTICS AND MATERIALS

### COMPATIBLE WITH SYSTEMS SC3 – SC6NW – SC6F



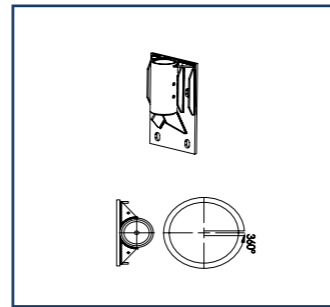
**GNSSC-BPD077**  
(121-3011-1077)  
12.5 kg

Offset floor base for concrete and steel (77 mm)



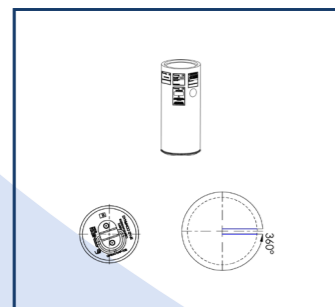
**GNSSC-BPC077**  
(121-3011-0077)  
12.5 kg

Central floor base for concrete and steel (77 mm)



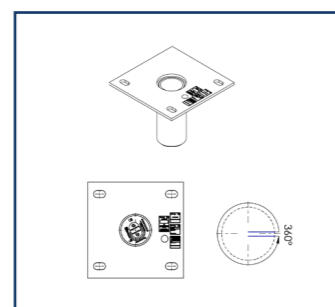
**GNSSC-BMA077**  
(121-3012-0077)  
15.5 kg

Wall base for concrete and steel (77 mm)



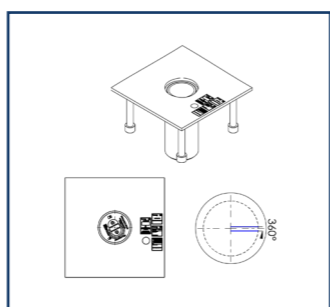
**GNSSC-BCC077**  
(121-3013-0077)  
7 kg

Immersion base for concrete (77 mm)



**GNSSC-BCF077**  
(121-3013-1077)  
10 kg

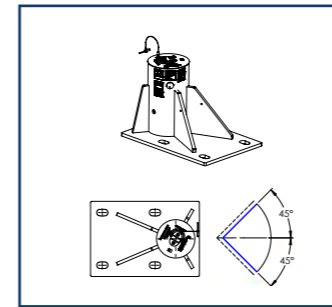
Concealed base for concrete and steel (77 mm)



**GNSSC-BCI077**  
(121-3013-2077)  
12 kg

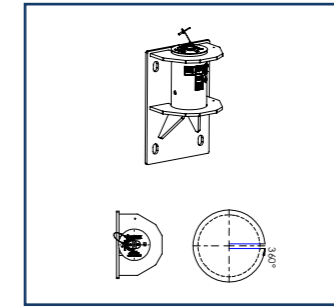
Concealed cast base for concrete (77 mm)

### COMPATIBLE WITH SYSTEMS SC12NW



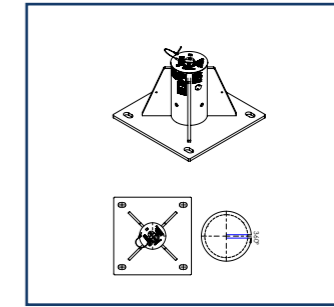
**GNSSC-BPD103**  
(121-3011-1103)  
18 kg

Offset floor base for concrete and steel (103 mm)



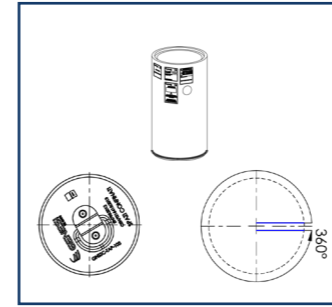
**GNSSC-BMA103**  
(121-3012-0103)  
22 kg

Wall base for concrete and steel (103 mm)



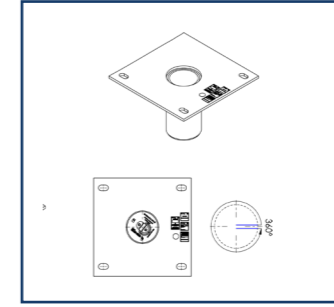
**GNSSC-BPC103**  
(121-3011-0103)  
23 kg

Central floor base for concrete and steel (103 mm)



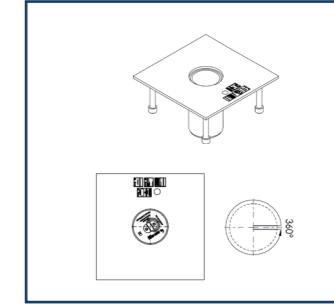
**GNSSC-BCC103**  
(121-3013-0103)  
9 kg

Immersion base for concrete (103 mm)



**GNSSC-BCF103**  
(121-3013-1103)  
15 kg

Concealed base for concrete and steel (103 mm)



**GNSSC-BCI103**  
(121-3013-2103)  
17 kg

Floor base for concrete casting (103mm)

The Genesi SC support bases are all made of steel for excellent performance and corrosion resistance, and have been tested for the proper functioning of the Genesi SC Mobile Anchor Devices.

To ensure safety, the support bases must be chosen according to the conformation and structure of the site to be protected, the activity to be performed and the geometry of the access.

# HORIZONTAL ACCESSES



# GENESI SCPH

Lightweight, compact and durable; these are just some of the features that distinguish the Genesi SCPH hoist.

A lightweight and ergonomic solution that can be installed in any type of working environment, whether vertical or horizontal access.

3 supports are available: SCPH-P-SM, SCPH-P and SCPH-P-XL, covering a height range from 363 mm to 1894 mm.

Genesi SCPH is certified for two operators.

The Genesi SCPH hoist must be fixed to an A or B anchor point.

To make up for any structural limitations, a certified anchor point is available for two operators, GNSSC-AGSCPH, to be fixed directly to the flange.



Art. 131-3010-0000  
GNSSC-AFSCPH



## FEATURES

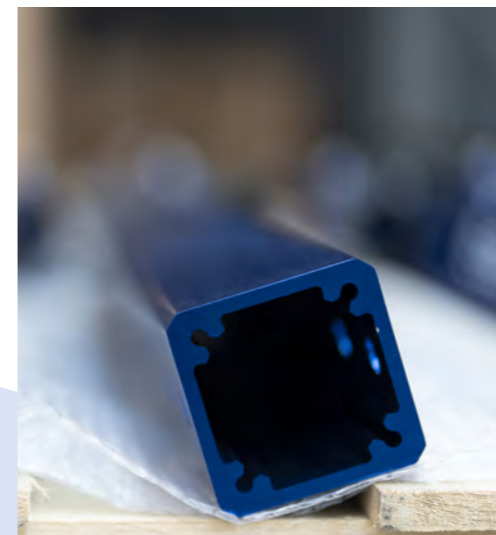
- Versatility
- Ergonomics and ease of use and transport
- Lightweight and compact
- Standard equipment of a plate for connecting a fall arrest device
- Additional attachment plate for two fall arrest devices available
- Entirely in anodised aluminium
- Easy to install and use
- Certified for 2 operators
- Full traceability of the components and documentation management with NFC tags

## CONFORMITY

PPE Regulation 2016/425

EN795:2012 type B

CEN/TS 16415:2013 type B





# GENESI SCPH

## MAIN COMPONENTS

- 1 . Genesi SCPH Davit arm - (118-3005-0700)
  - a . Universal bracket for fastening adapters - (179-0903-0001)
  - b . Pulley assembly - (118-3005-1500)
  - c . Pin 110mm - (661-2023-0004)
- 2 . Dual SCPH support opt. - (118-3005-0900)

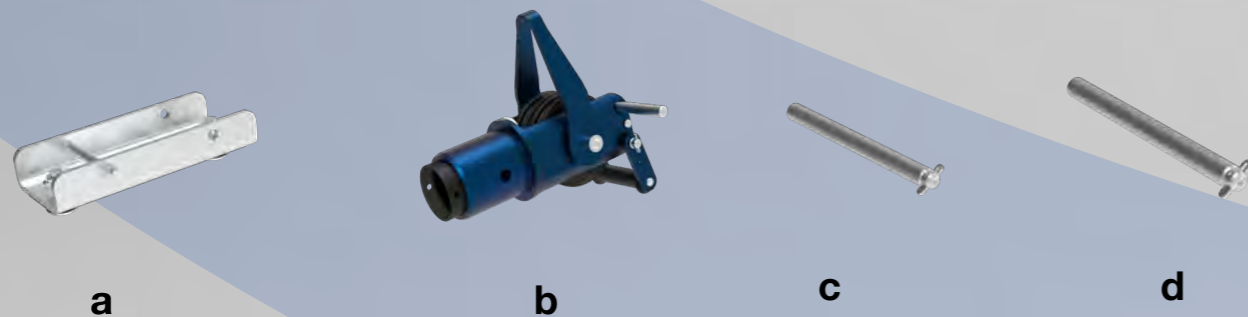
### Optional supports, to be chosen based on the distance to be covered:

- 3 . Support for hoist SCPH-P-SM (363mm - 403mm) - (118-3005-1800)
  - c . Pin 110mm - (661-2023-0004)
  - d . Pin140mm - (661-2023-0005)
- 4 . Support for hoist SCPH-P (909mm - 1224mm) - (118-3005-0800)
  - c . Pin 110mm - (661-2023-0004)
  - d . Pin 140mm - (661-2023-0005)
- 5 . Support for hoist SCPH-P-XL (1159mm - 1894mm) - (118-3005-1400)
  - c . Pin 110mm - (661-2023-0004)
  - d . Pin 140mm - (661-2023-0005)



## ACCESSORIES AND SPARE PARTS

**\*\*ATTENTION:** For the correct replacement and/or installation of components, always refer to the device's instruction manual.





## RESCUE SLIDES

Range of devices to facilitate and protect operators during access and recovery operations from confined spaces or spaces with suspected pollution.

The recovery chutes guarantee maximum ergonomics, speed and safety during extraction.

The RS rescue slides aid the safe recovery of the operator in an emergency, eliminating the risk of possible spinal damage, facilitating recovery manoeuvres and optimising the number of people involved in the procedures.

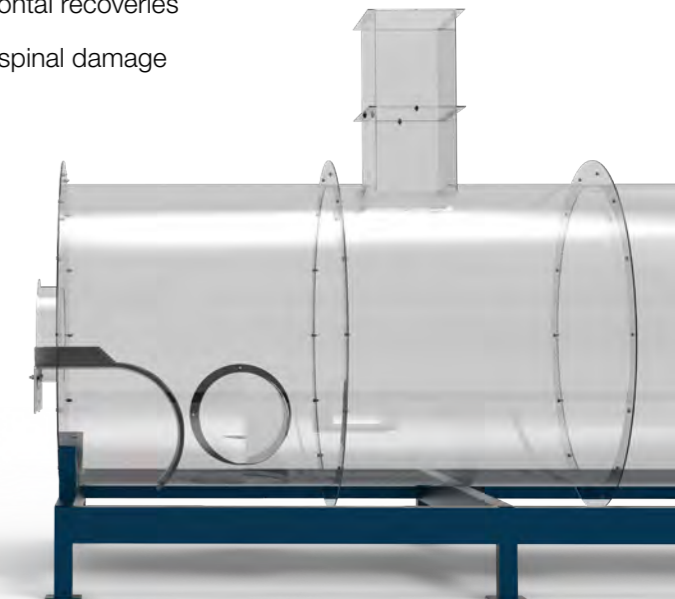
High-performance yet lightweight materials facilitate transportation and reduce installation time.

A version made of antistatic plastic is also available, ideal for potentially explosive environments.



## FEATURES

- Versatility
- Practicality
- Suitable for horizontal recoveries
- Protects against spinal damage
- ATEX Version
- Scalable





# GENESI ADAORI

Genesi Adaori is the innovative omni-directional plate that stands out for its unique versatility: **with 400 possible positions**, it can adapt to the most varied and complex requirements. Certified according to EN795:2012 type A and CEN/TS 16415:2013 type A, Genesi Adaori allows simultaneous protection of up to two operators, thus ensuring time optimisation and maximum safety. The swivelling plate design allows the device to be adapted to a variety of operational needs, ensuring unprecedented operational efficiency.

Aluminium: Lightness and Resistance

The structure of Genesi Adaori is made entirely of anodised aluminium, to guarantee lightness and robustness.

This swivel plate offers the possibility of total adjustment in the surrounding space, which allows installation on walls, floors, or on inclined or special structures.

**Imagine a world where you can protect your operators with a single, versatile plate.**

**A world where you can install this plate even in the most inaccessible places, those confined spaces that until recently were inaccessible to any other device.**

Thanks to Genesi Adaori, every working environment can become a safe, accessible, and functional place.

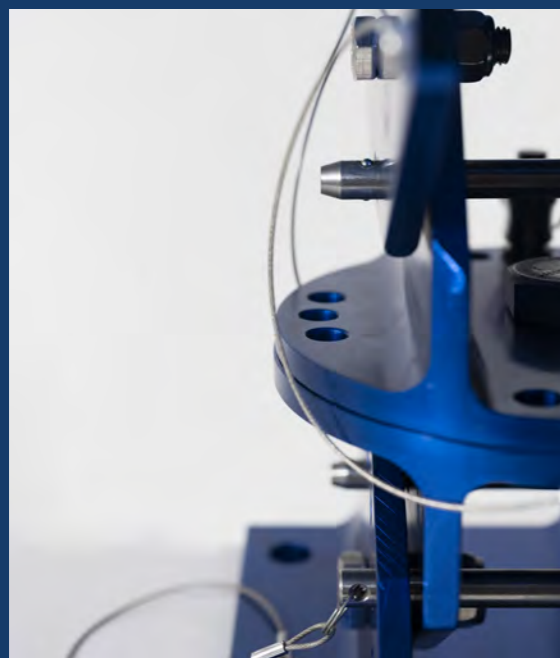
Uncompromising protection, unrivalled versatility, unparalleled efficiency.

Now, all this has become reality.

# MAXIMUM FLEXIBILITY



Art. 131-3009-0000  
Swivel adapter for retracting lanyards



The Genesi swivel plate is a versatile, omni-directional plate that acts as an anchor point for two fall arrest devices or winches and is certified for simultaneous use by two operators in accordance with EN795:2012 Type A and TS 16415:2013 Type A.

Entirely made of aluminium alloy to guarantee lightness and solidity, thanks to the complete adjustment in the space, it can be installed on walls, floors or on inclined or special structures in order to have the direction of the outgoing cable in the optimal position to guarantee the full safety of the operator entering the confined space.

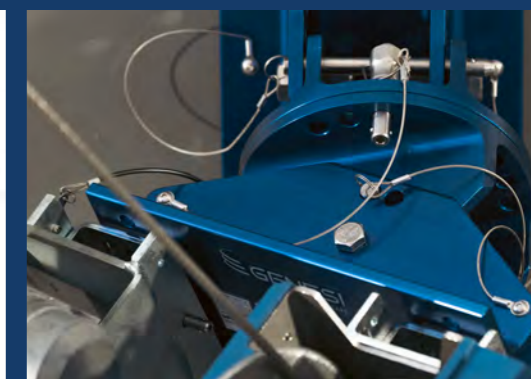
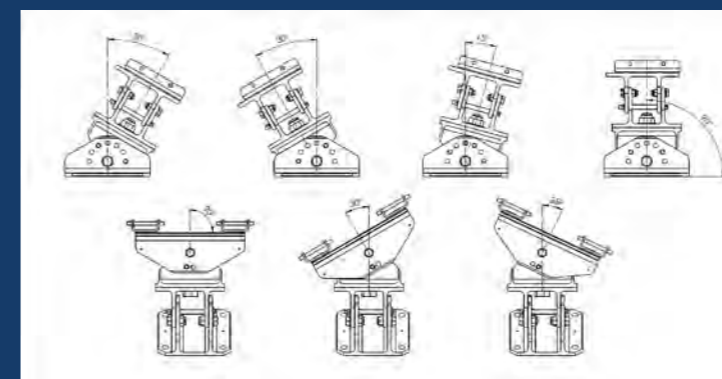
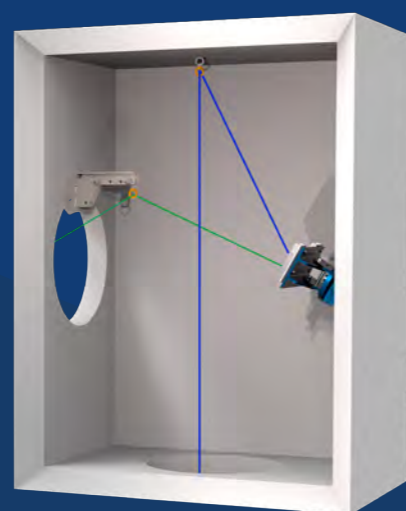
Two-operator certification protects the support operator and the operator entering the confined environment.

The plate comes standard with two brackets for connecting retracting lanyards or winches or anchor point adapters and NFC for storing installation and maintenance parameters.

Fully swivelling in the plane thanks to the four articulated plates with positions locked by means of quick-release pins: 4 adjustments for the bottom plate, 12 for the middle plates and 3 for the top plate make it the most versatile swivel anchor on the market today.



- Vertical extraction
- Horizontal extraction



## FEATURES

- Versatility
- Speed of adjustment
- Ergonomics and ease of use
- Lightweight and compact
- Standard equipment of two plates for connecting two fall arrest devices
- Entirely in anodised aluminium
- Easy to install and use
- Certified for 2 operators

# ADAPTERS FOR SELF RETRACTING LANYARDS AND WINCHES

## NOTE



GNSSC-AIK1224

GNSSC-AIK1224	Adapter IKAR HRA-12, 18 and 24	Adapter for IKAR HRA-12 (SOIT204-12), HRA-18 (SOIT204-18 and HRA-24 (SOIT204-24)
GNSSC-AIK033	Adapter for IKAR HRA-33	Adapter for IKAR HRA-33 (SOIT204-33)
GNSSC-AIK042	Adapter for IKAR HRA-42	Adapter for IKAR HRA-42 (SOIT204-42)
GNSSC-AMSAWR	Adapter for MSA Workman	Adapter for MSA Workman Rescuer and Workman Winch
GNSSC-APR300	Adapter for Protekt CRW300	Adapter for Protekt CRW300 (SOIT083)
GNSSC-APR200	Adapter for Protekt CRW200	Adapter for Protekt CRW200 (SOIT114)
GNSSC-AKR200	Adapter for KRATOS FA2040120 device	Adapter for KRATOS FA2040120 (SOIT 805)
GNSSC-APIAR	Adapter IKAR PLW	Adapter for PROTEKT RUP 502/ RUP 503 (SOIT006 – 006M) and IKAR PLW SOIT219)

**\*\*ATTENTION:** The information contained in this catalogue is subject to change without obligation of notice by Genesi®



# PROTECTION IN EXTRAORDINARY SPACES

The images and contents of this catalogue  
are subject to change without notice



### Address

Via Donizetti,  
109/111 - 24030  
Brembate di Sopra (BG) Italy

### Contacts

T. +39 035 620380  
F. +39 035 6220438  
info@genesiprotection.com

### Social Media

Facebook: [facebook.com/Genesi Protection](https://facebook.com/Genesi%20Protection)  
Instagram: [instagram.com/Genesi Protection](https://instagram.com/Genesi%20Protection)  
Linkedin: [linkedin.com/Genesi Protection](https://linkedin.com/Genesi%20Protection)