



Confined Spaces
Catalogue

Knowing to protect





Innovation, quality, and efficiency: Genesi solutions

1.

The Genesi system

The Genesi system	6
The values of Genesi Protection	8
Research & Development	10
Production	11
Genesi partners worldwide	12
Genesi Academy	14
Confined spaces	16

2.

Vertical access

Genesi SC6NW	22
Genesi SC6F	28
Genesi SC3	34
Genesi SC12NW	40
Genesi SCTY	46
SCTY-Guard	54
GNSSC-BUMP73	56
Genesi bases	62
GNSSC-BITE130	66

3.

Horizontal access

Genesi SCPH	70
GNSSC-AFSCPH	74
GNSSC-AFSCPH-P	76
Rescue Slider	78

4.

Polyfunctional products

GNSSC-ADAORI	80
SC-Octagon	84

5.

Accessories

Adapters	86
----------	----



The journey of Somain Italia continues with Genesi: Knowing to Protect

We embarked on our journey with Somain Italia over 20 years ago, carrying forward a vision: to be the arm that saves lives and protects the dreams of those who work. This vision, nurtured by values such as the centrality of human life, a passion for innovation, and a commitment to spreading a culture of safety, has marked our growth and development.

Over time, we have gained extensive experience in the field of workplace safety, becoming a benchmark for the design and implementation of solutions that protect the lives of people working at height or in confined spaces. We have always supported the fundamental right to work safely and have committed ourselves to ensuring that all workers can return home safe and sound every day.

Our mission has evolved over time, leading to the creation of Genesi, a group of people that represents the sum of the experiences, skills, and professionalism we have acquired over the years.

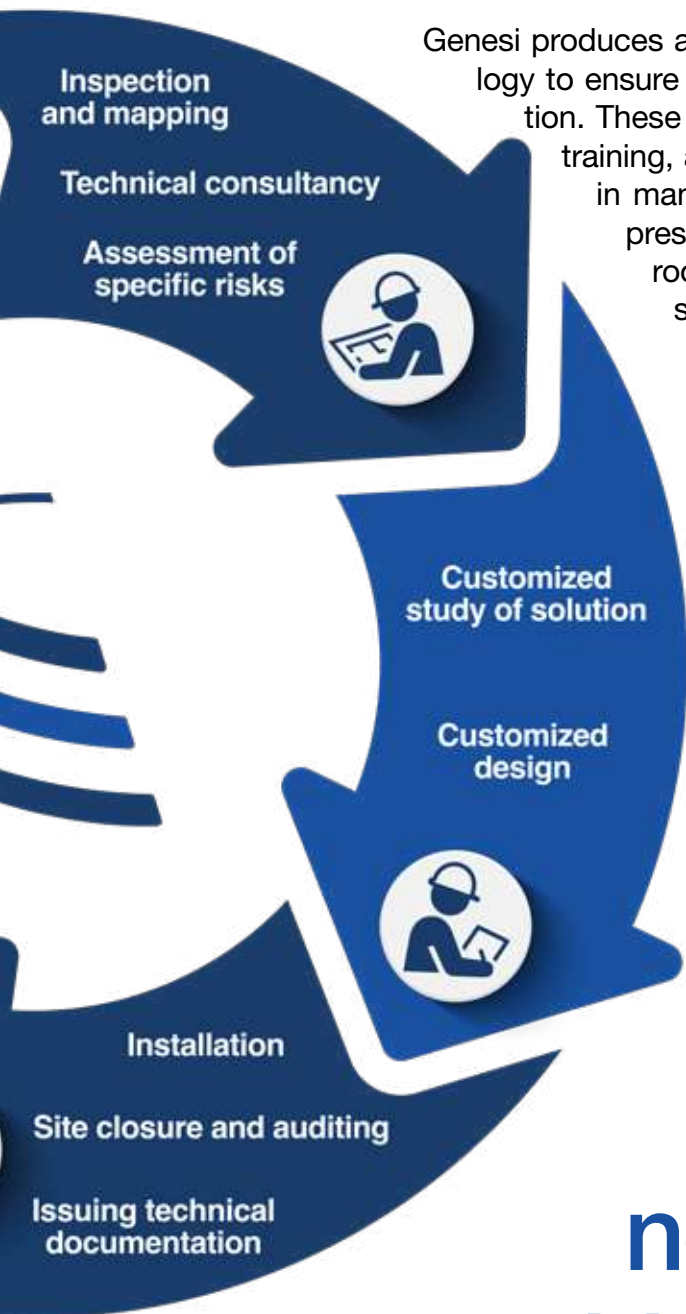
Genesi was born from the desire to redefine customer centrality, responding to their needs with innovative and high-quality solutions. With commitment, enthusiasm, and a spirit of innovation, we have embraced the challenge of constantly improving the safety of those working in confined spaces and at height.

Genesi is not just a manufacturer of protective devices; we stand by our clients during the consultancy phase through needs analysis and risk assessment, solution definition, design and installation, ensuring full efficiency of the devices through inspection and maintenance, and caring for people by offering training and education with Genesi Academy.

Genesi Academy is the epicenter of interaction, communication, and updating for anyone working at height and in confined spaces. At Genesi Academy, one has the opportunity to explore the most suitable solutions for all needs and situations, acquiring the theoretical and practical skills necessary to safely face any scenario. The proposed solutions stem from competence and passion with a fundamental mission: to protect human life. Genesi Academy pursues



this goal by spreading knowledge through a widespread network of training centers across the territory, ensuring the same high-quality standard of the courses offered everywhere. The Genesi Academy training center is IRATA certified, an unmistakable mark of excellence in rope work. This is complemented by three international certifications that define the company's identity: ISO 9001 confirms the adoption of a high-level quality management system; ISO 14001 represents environmental responsibility and a concrete commitment to reducing the impact of activities carried out; ISO 45001 establishes dedication to workplace safety, based on risk identification and the implementation of preventive measures that ensure the continuous improvement of the health and safety of collaborators and all involved parties.



Genesi produces a range of cutting-edge products that utilize IoT technology to ensure continuous connectivity and detailed real-time information. These devices, integrated with consulting services, NFC tags, training, and support, are designed to assist partners and clients in managing and preventing workplace accidents. Genesi represents the evolution of Somain Italia: a renewed promise, rooted in twenty years of experience and aimed at the constant pursuit of excellence. It is an environment where teamwork, shared goals, and values make a difference. A place of continuous growth, where new opportunities and technologies are discovered thanks to an insatiable thirst for innovation.

Welcome to this new era, the era in which Somain brings Genesi to life.





The values of Genesi Protection

Vision

*To be the voice that spreads knowledge
and conveys the ability to face every work challenge
with maximum protection.*

Mission

*Designing and implementing solutions that integrate training,
services and products to protect people's lives.
Spreading the culture of the right to safety so that working people
can return home safe and sound every day.*

Skills

Being constantly updated, trained, and ready to respond to the needs of our clients quickly and comprehensively. Fulfilling one's duties and sharing experiences, promoting rational and constructive criticism.

Reliability

Consistently meet commitments by knowing how to organize and complete your work with punctuality and precision. Perform your duties while respecting roles, rules, objectives, methods, and processes.

Communication

Knowing how to listen and ask questions, give and request feedback. Knowing how to share information clearly and concisely, choosing an effective and appropriate method.

Respect

Safeguard the company's assets and defend our strategic choices, taking care of people, their ideas, needs, and also their time.

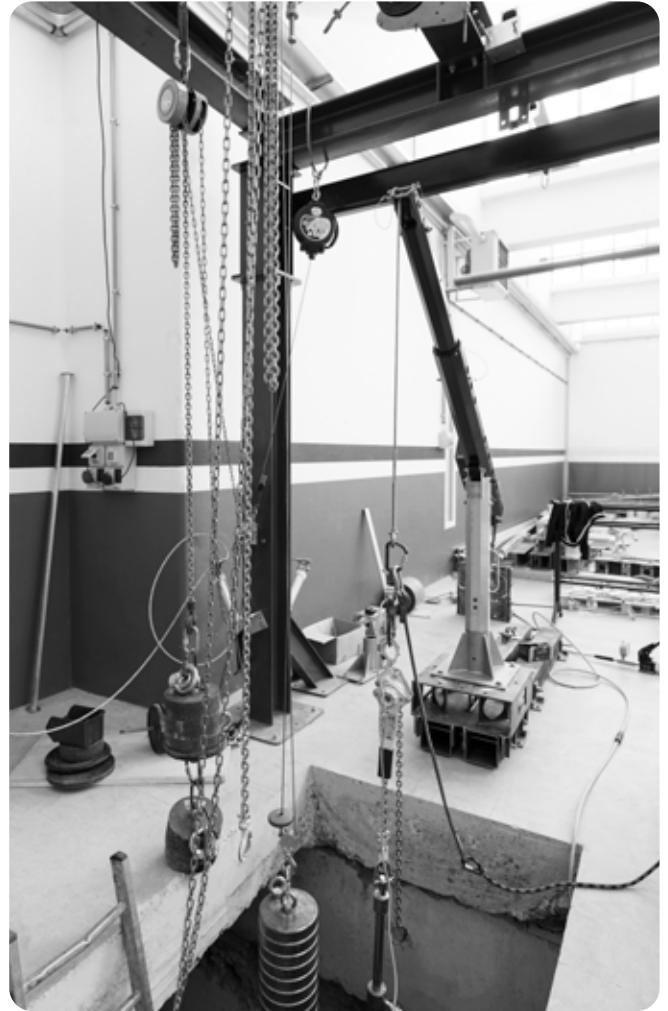
Sustainability

Knowing how to change one's habits by using resources, investments, and technological integration to enhance not only current potential but also future potential. Meeting the needs of the present generation without compromising the ability of future generations to fulfill their own. Supporting the well-being of workers by promoting their training, organizing inclusive activities with the aim of integration. Protecting the environment through small and large daily actions by reducing waste and enhancing the value of consumable and production materials.

Innovation

Set ambitious goals and be forward-thinking. Seek new milestones and overcome difficulties to continue growing. Know how to temporarily eliminate our habits to go beyond customer needs. Seek improvement to continue ensuring high levels of quality. Leave nothing to chance.





R&D

The Research and Development department and the Technical Office are constantly engaged in the design and implementation of new safety devices in compliance with industry regulations. The ability to provide innovative solutions in an increasingly complex and ever-changing context is essential to ensure the highest level of protection and ergonomics. The design involves a careful evaluation of construction materials and finishes to ensure structural resistance and resistance to external agents, sustainability, and lightness. Particular attention is paid to ease of transport, installation, and use. Each device is conceived with a high level of attention to detail.

To achieve these results, Genesi uses cutting-edge specific software and an area of 1500 m² dedicated to internal testing. Here, the devices undergo rigorous tests with standards higher than those imposed by industry regulations. Subsequently, the products are tested at independent third-party laboratories and approved by a notified body. Quality and reliability are an absolute priority to ensure the full protection of operators working in confined spaces and at height.

Production

The Production department collaborates daily with Research and Development and the Technical Office to develop devices and define the best assembly, control, and release procedures for the products. All Genesi devices are equipped with NFC tags to ensure traceability, allowing the end user to access up-to-date documentation in real-time via tablet or smartphone.

The Lean philosophy does not represent a goal, but a process of continuous improvement. The production department is organized according to these principles, employing modern equipment to work, process, and mark metals, and adopting cutting-edge processes to reduce waste and optimize efficiency.

The warehouse is structured to promptly meet the demands for standard products and to manage on-demand needs quickly and effectively, thanks to a large stock of finished and semi-finished products of mobile anchoring devices for confined spaces and personal and collective fall protection systems. Constant innovation allows these departments



to keep pace with the needs of an ever-evolving market, ensuring increasingly effective solutions for worker safety.



Genesi partners worldwide



In an increasingly globalized world, looking beyond national borders means creating synergies that allow for the merging of complementary skills to enhance the culture of safety, consistently ensuring the quality of projects and installations worldwide. All Genesi solutions are designed to meet the needs of European and non-European mar-

kets, adapting to the regulatory and cultural specificities of each territory. For this reason, the network of selected distributors who share the company's values, objectives, and common vision is fundamental. The map, continuously updated, highlights the presence of all Genesi partners worldwide.





Genesi Academy

Knowledge that protects

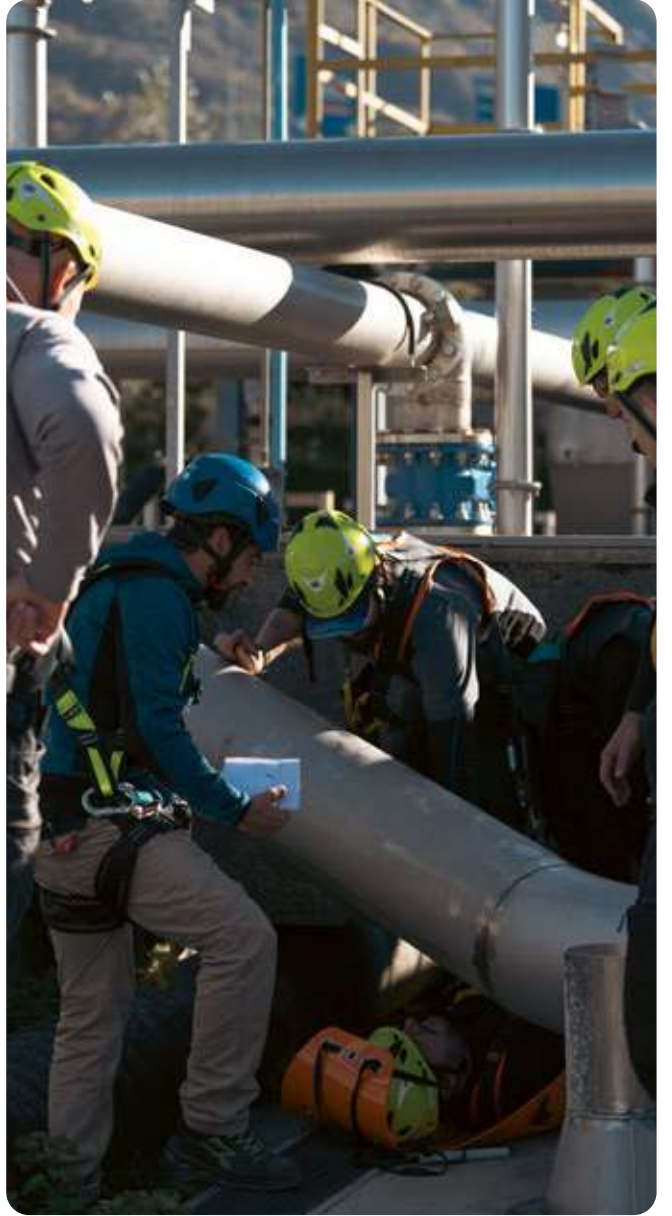


Genesi Academy aims to spread the culture of safety to all workers. This is our mission, a motivation fueled by the founding values of Genesi and strengthened by the expertise of engineers, technicians, installers, and expert high-altitude workers, combined with the experience of Irata International certified technicians.

In what way?

How? Genesi Academy has developed a comprehensive and diversified training offer of courses for those who perform activities at height and in confined spaces, designed to accompany trainees along a growth path that can take them from the first basic notions to the ability to manage one or more work teams in any situation, including emergencies. We are able to train and best prepare operators

employed in work at height and in confined spaces and qualify personnel for installation and maintenance to ensure compliance with current local legislation and technical reference standards. Genesi Academy is able to deliver its courses directly at the client's site, operating in real scenarios or through a specially equipped vehicle (GAM - Genesi Academy Mobile). Genesi Academy can rely on a state-of-the-art training center at its headquarters capable of reproducing countless scenarios and certified by IRATA International for suspended work. Additionally, in Italy, it has affiliated a series of training centers that guarantee the same high-quality standard.





Confined spaces

Confined spaces are areas not designed for the constant presence of operators but require access in specific cases. In these environments, the risk of serious or fatal injuries is very high, mainly due to the difficulties of entry and exit.

Additionally, these environments may present further risk factors due to the possible presence of toxic substances, flammable gases and/or vapors, and a lack or excess of oxygen.



SC Range

The Genesi SC systems are the result of experience gained directly in risk assessment, design, installation, use, and training in confined spaces; they have been specifically designed to ensure safety, ergonomics, and ease of use.

The meticulous research and development work inherent in all Genesi solutions is also expressed in the wide and versatile range of supports, both mobile and fixed, designed to ensure maximum safety regardless of the geometry of the access in confined spaces. Genesi SC solutions are distinguished by

being made of a special aluminium alloy, the octagonal shape of the profiles, and the characteristic blue anodisation. These features give Genesi SC solutions maximum lightness, strength, and protection.

Integrated NFC: full traceability

The NFC system allows end users to easily access usage and installation instructions and specific device sheets, and also provides all production parameters, thus facilitating periodic control and maintenance operations.

Features

- Lightness and versatility
- Simplicity and ergonomics of assembly and use
- Surface protection with anodising of components
- Use up to a maximum of 3 operators
- Broad compatibility of components and parts
- Full traceability of components and documentation management with NFC tags
- Reduced risk of human error in use
- Wide range of supports, mobile and fixed, for maximum flexibility in installation and use
- PPE compliance
- Tested for the actual drop of the maximum number of operators allowed for each system in the most unfavourable position
- Production entirely Made in Italy



Confined space tank



Confined space cistern



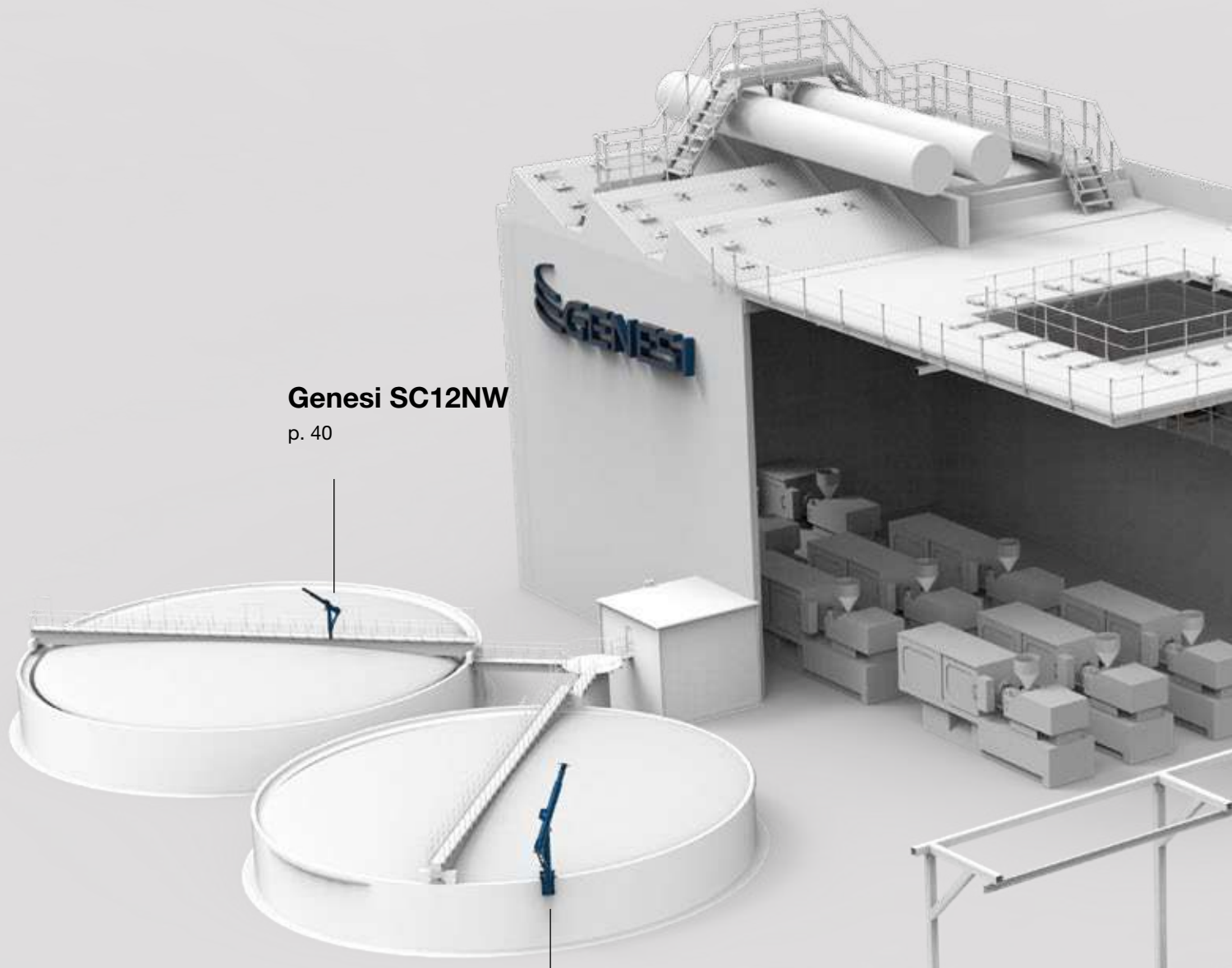
Confined space dam



Contents

Genesi SC12NW

p. 40



GNSSC-BITE130

p. 66



Image for illustrative purposes only.

Genesi SC6NW

p. 22

Genesi SCTY

p. 46

SCTY-Guard

p. 54

Genesi SC3

p. 34

GNSSC-BUMP73

p. 56

Genesi SC6F

p. 28

GNSSC-ADAORI

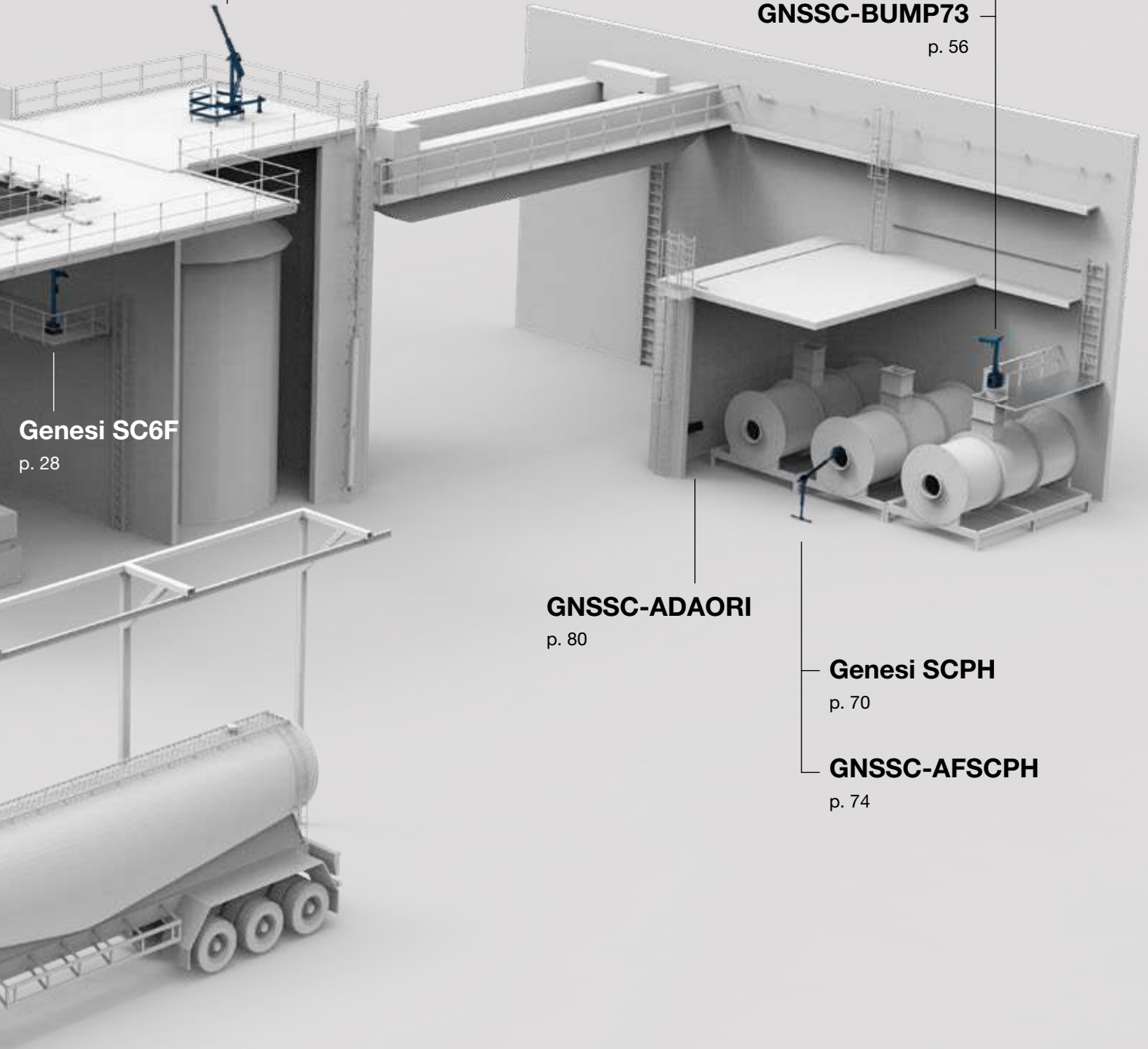
p. 80

Genesi SCPH

p. 70

GNSSC-AFSCPH

p. 74





Vertical access



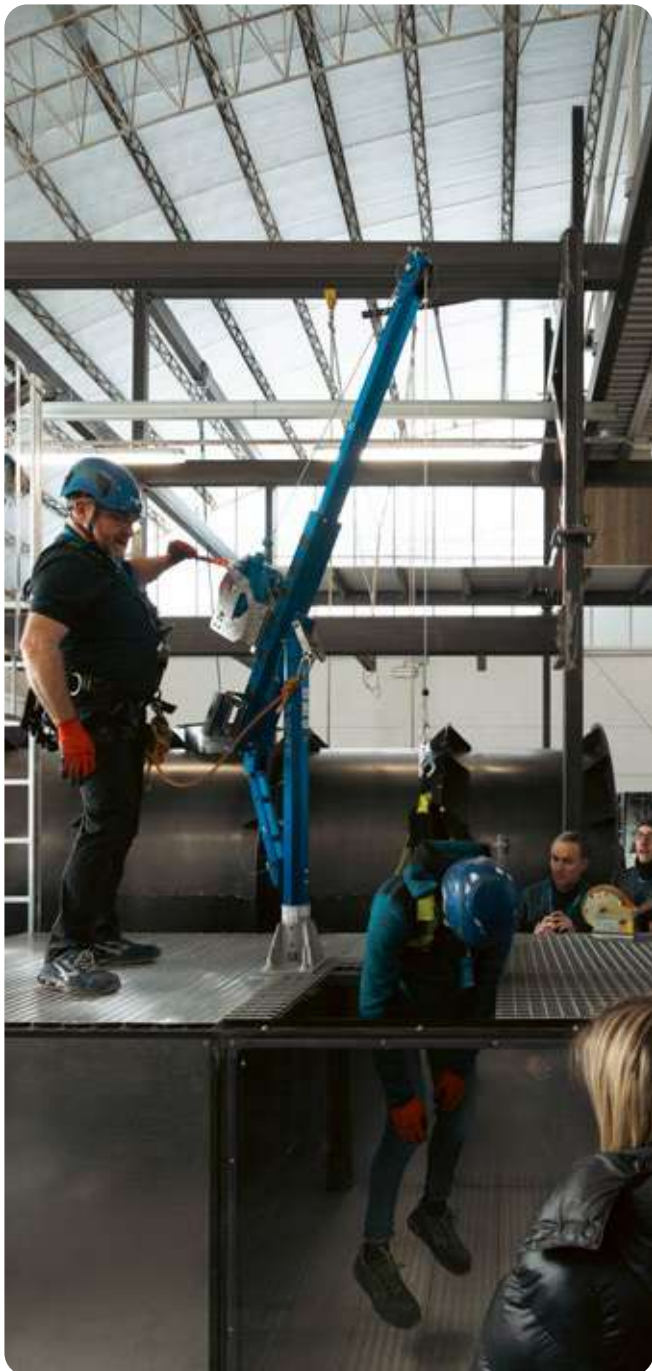
Genesi SC6NW

The Genesi SC6NW system is the result of careful design, making it the lightest certified solution for 3 operators available on the market.

This solution is the result of meticulous research into materials and geometries: the special aluminium alloy, anodisation, and octagonal shape optimize its performance and allow each component to be easily transported by a single person.

The optimization also involved the installation method, made easy and quick by a housing on the arm to fix it to the pole, allowing it to be installed by a single operator.





Features

- Adjustable in 2 arm lengths up to 570 mm
- Standard equipment includes two attachment plates for retractables with rescue function or winch
- Equipped with an additional anchor point
- Octagonal profile to increase mechanical strength
- Entirely made of anodised aluminium for lightness and protection
- Easy to install and use
- Certified for 3 operators
- Full traceability of components and documentation management with NFC tag



Compliance

- PPE Regulation 2016/425
- EN 795:2012 type B
- CEN/TS 16415:2013 type B



Genesi SC6NW

Main components

- 1** Cod. 118-3003-0701
Genesi SC6NW arm
- 2** Cod. 118-3003-1200
Genesi SC6-PNW pole

Accessories

- 3** Cod. 118-3002-1000
Offset fall arrest system support
- 4** Cod. 118-3000-0005
Split pins and cables kit for Genesi SC6NW

Spare parts

Cod. 118-3001-1500
Pulley assembly



Cod. 179-0903-0001
Universal bracket for
adapter fixing



Cod. 118-3002-0800
Davit arm cap



Cod. 118-3003-0400
Anchor point



Cod. 661-2023-0004
110 mm pin



Cod. 661-2023-0005
140 mm pin



Cod. 118-3002-1100
Black handle



WARNING: For the correct replacement and/or installation of components, always refer to the device's instruction manual.



Genesi SC6NW

Compatible support bases

The Genesi SC6NW arm is designed and certified to be used with the dedicated support pole and one of the selectable specific bases, forming a system that ensures reliability in every work context.

With Genesi SC6NW, safety is guaranteed in any type of vertical access; its compact dimensions and the wide range of certified bases, both fixed and mobile, make this solution extremely versatile and adaptable to multiple situations.

1 GNSSC-BITE130*

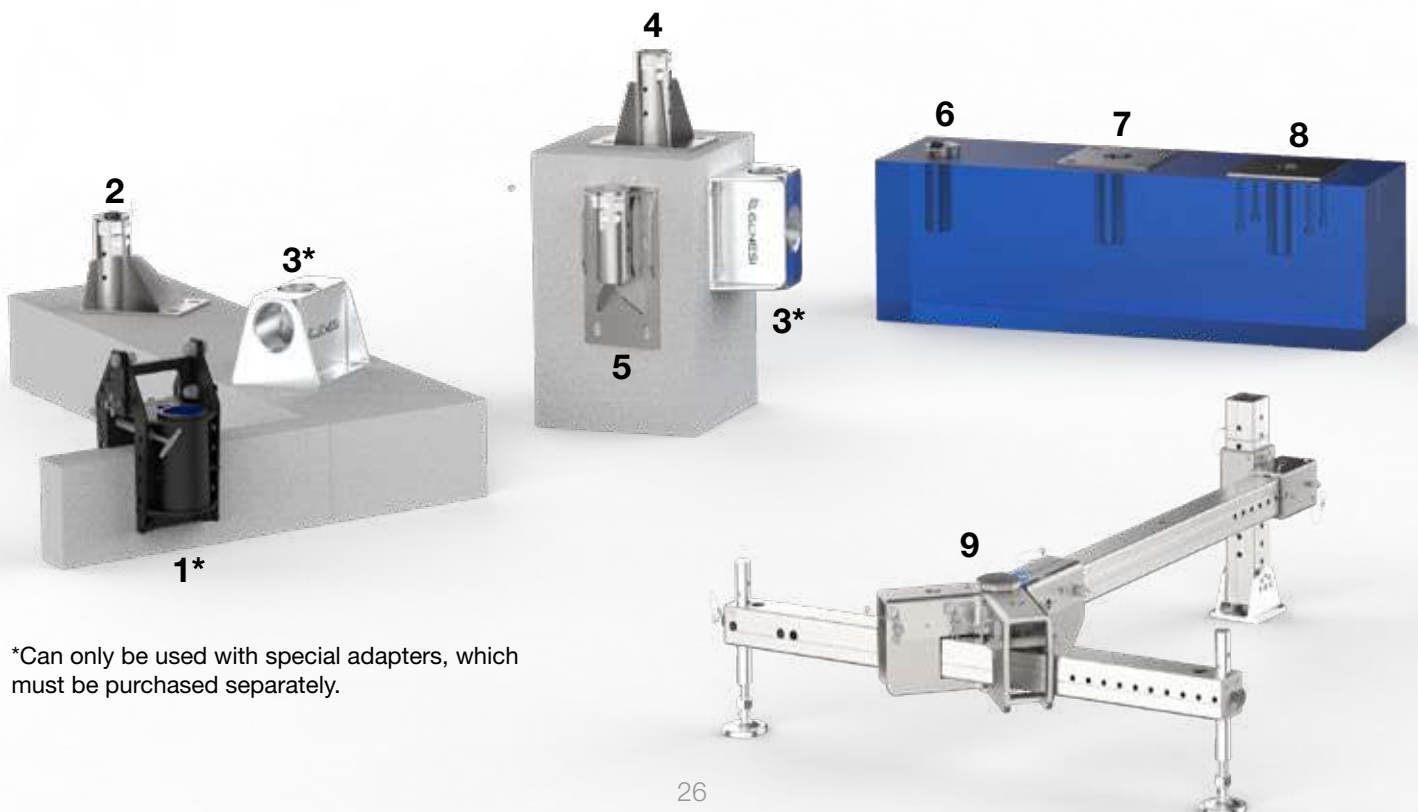
Mobile support system with clamp for Genesi SC anchoring devices

2 GNSSC-BPD077

Offset floor base for concrete and steel (77 mm)

3 GNSSC-BUMP73*

Universal wall base for all Genesi SC systems



*Can only be used with special adapters, which must be purchased separately.

4 GNSSC-BPC077

Central floor base for concrete and steel (77 mm)

5 GNSSC-BMA077

Wall base for concrete and steel (77 mm)

6 GNSSC-BCC077

Immersion base for concrete (77 mm)

7 GNSSC-BCF077

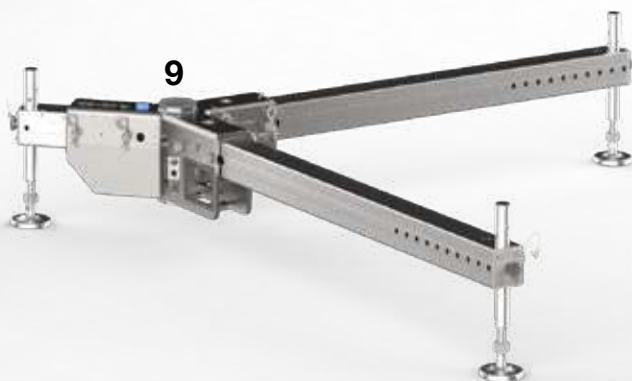
Concealed base for concrete and steel (77 mm)

8 GNSSC-BCI077

Concealed concrete casting base (77 mm)

9 Genesi SCTY

Mobile support system Y and T configuration





Genesi SC6F

Genesi SC6F is a Type B anchorage device for access and rescue in confined spaces. The configuration in a single lightweight and manageable block, with a fixed arm of 610 mm and an integrated pole, accelerates commissioning and operational readiness on site. The unit is installed on dedicated SC bases and can be transported by a single operator, making it suitable for multi-site interventions. Designed for safe vertical access, certified for use by up to two operators in fall arrest.

Genesi SC6F: faster maneuvers, less logistical complexity, reliable operations even in tight spaces.



Features

- Lightweight and compact
- Standard equipment includes a plate for connecting a fall arrest device
- An additional attachment plate for a fall arrest device is available
- Equipped with an additional anchor point
- Octagonal profile to increase mechanical strength
- Entirely made of anodised aluminium
- Easy to install and use
- Certified for 2 operators
- Full traceability of components and documentation management with NFC tag



Compliance

- PPE Regulation 2016/425
- EN 795:2012 type B
- CEN/TS 16415:2013 type B



Genesi SC6F

Main components

- 1** Cod. 118-3004-0700
Complete Genesi SC6F arm

Accessories

- 2** Cod. 118-3001-1100
Optional fall arrest system support

- 3** Cod. 118-3000-0001; Cod. 118-3000-0002
Split pins

Spare parts

Cod. 118-3001-1500
Pulley assembly



Cod. 118-3003-0400
Anchor point



Cod. 661-2023-0004
110 mm pin



Cod. 118-3001-1200
Standard fall protection
system support



WARNING: For the correct replacement and/or installation of components, always refer to the device's instruction manual.



Genesi SC6F

Compatible support bases

The wide range of certified bases for the use of the Genesi SC6F mobile anchorage device allows it to be adapted to any type of work context, and with its compact dimensions and excellent performance, it is ideal for those looking for an easy and quick solution to install.

1 GNSSC-BITE130*

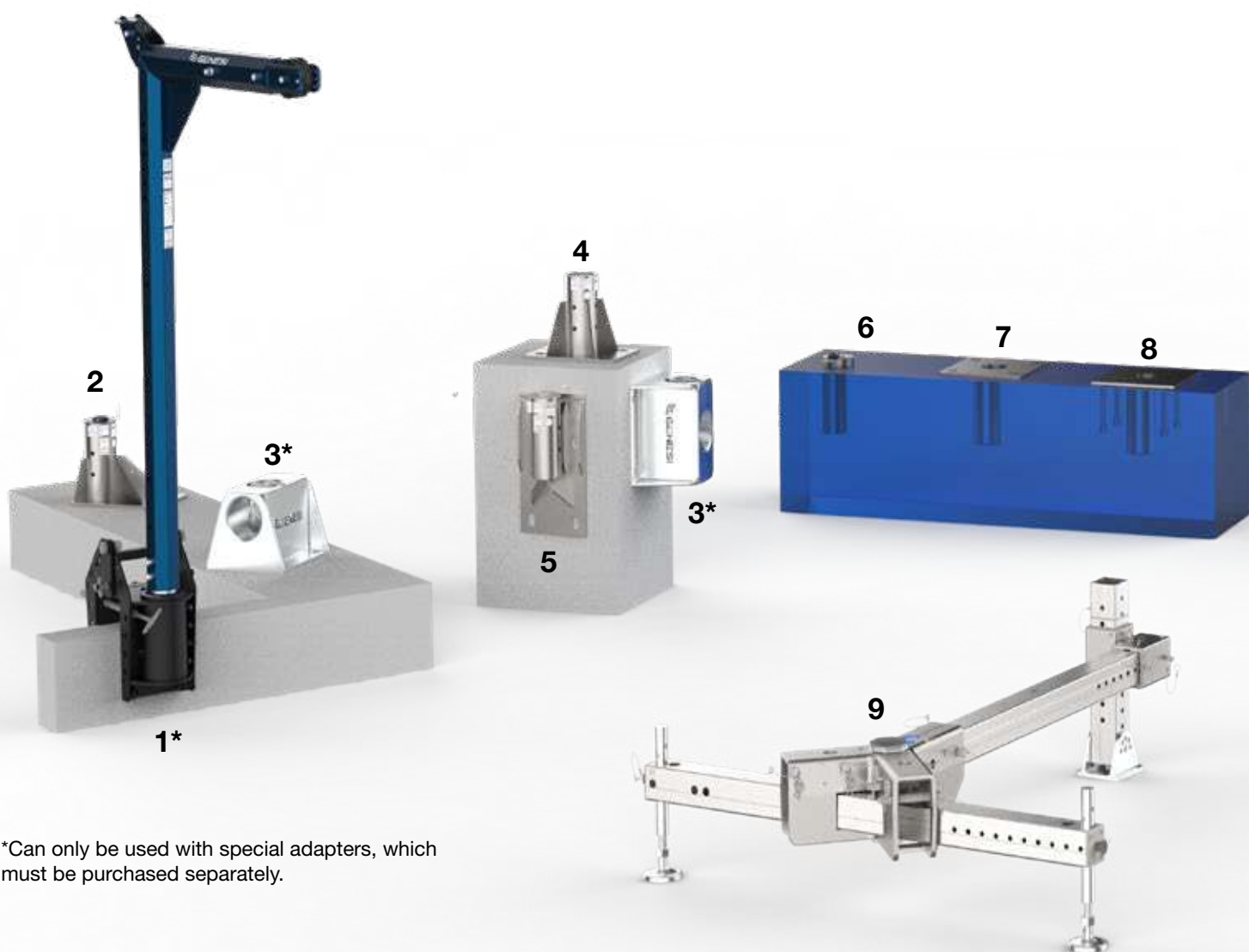
Mobile support system with clamp for Genesi SC anchoring devices

2 GNSSC-BPD077

Offset floor base for concrete and steel (77 mm)

3 GNSSC-BUMP73*

Universal wall base for all Genesi SC systems



*Can only be used with special adapters, which must be purchased separately.

4 GNSSC-BPC077

Central floor base for concrete and steel
(77 mm)

5 GNSSC-BMA077

Wall base for concrete and steel (77 mm)

6 GNSSC-BCC077

Immersion base for concrete (77 mm)

7 GNSSC-BCF077

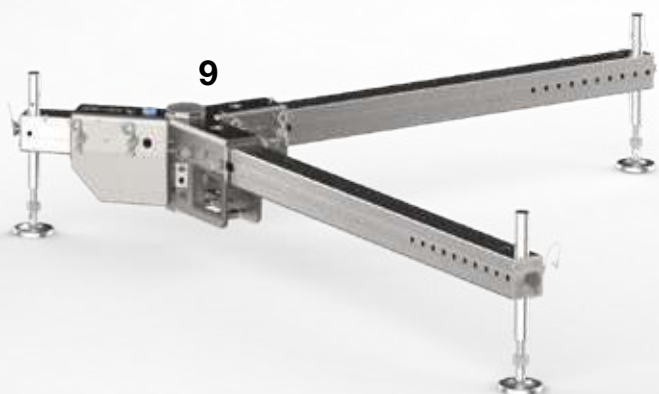
Concealed base for concrete and steel
(77 mm)

8 GNSSC-BCI077

Concealed concrete casting base (77 mm)

9 Genesi SCTY

Mobile support system Y and T configuration





Genesi SC3

Safety and functionality converge in the Genesi SC3 device. This compact mobile anchoring device, with high-level performance, features a fixed arm with a 380 mm extension and an integrated pole. It proves particularly effective for ensuring safe vertical access for up to three operators in confined spaces with limited external areas.

Reliability and versatility characterize Genesi SC3, designed to provide adequate support in the most challenging work environments. A perfect balance between intelligent design and robustness, always combining the quality of Made in Italy.

When spaces become restricted, Genesi SC3 emerges as the most effective solution to neutralize potential risks in confined spaces.



Features

- Lightweight and compact
- Standard equipment includes a plate for connecting a fall protection device
- An additional attachment plate is available for a second fall protection device
- Equipped with an additional anchor point
- Octagonal profile to increase mechanical strength
- Entirely made of anodised aluminium
- Easy to install and use
- Certified for 3 operators
- Full traceability of components and documentation management with NFC tag



Compliance

- PPE Regulation 2016/425
- EN 795:2012 type B
- CEN/TS 16415:2013 type B



Genesi SC3

Main components

- 1** Cod. 118-3001-0700
Complete Genesi SC3 arm

Accessories

- 2** Cod. 118-3001-1100
Optional fall arrest system support

- 3** Cod. 118-3001-0500
Genesi SC3P-560 extension pole

- 4** Cod. 118-3001-0600
Genesi SC3P-990 extension pole

- 5** Cod. 118-3000-0001; Cod. 118-3000-0002
Split pins

Spare parts

Cod. 118-3001-1500
Pulley assembly



Cod. 118-3003-0400
Anchor point



Cod. 661-2023-0004
110 mm pin



Cod. 118-3001-1200
Standard fall protection
system support



WARNING: For the correct replacement and/or installation of components, always refer to the device's instruction manual.



Genesi SC3

Compatible support bases

The Genesi SC3 system is designed and certified to be used with two dedicated extensions: SC3P-560, which allows the davit arm to be raised by 560 mm, and SC3P-990, which increases the height by 990 mm.

The wide range of bases certified for use with the SC3 mobile anchorage device allows it to be adapted to any type of work context, and with its compact size and excellent performance, it is ideal for situations with limited maneuvering space.

1 GNSSC-BITE130*

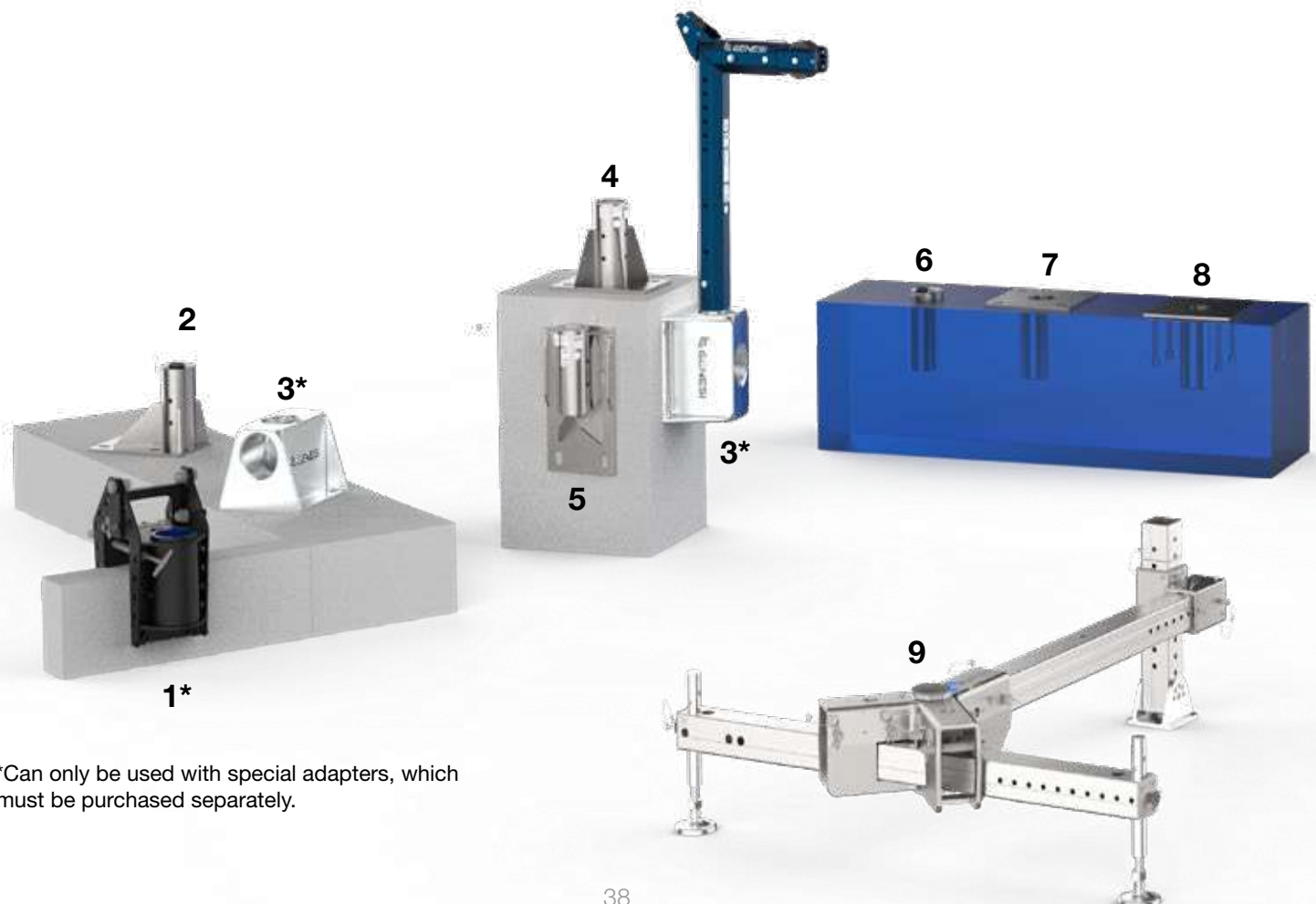
Mobile support system with clamp for Genesi SC anchoring devices

2 GNSSC-BPD077

Offset floor base for concrete and steel (77 mm)

3 GNSSC-BUMP73*

Universal wall base for all Genesi SC systems



*Can only be used with special adapters, which must be purchased separately.

4 GNSSC-BPC077

Central floor base for concrete and steel
(77 mm)

5 GNSSC-BMA077

Wall base for concrete and steel (77 mm)

6 GNSSC-BCC077

Immersion base for concrete (77 mm)

7 GNSSC-BCF077

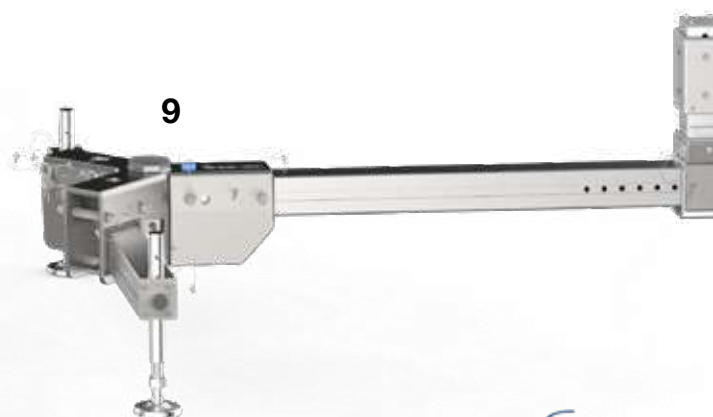
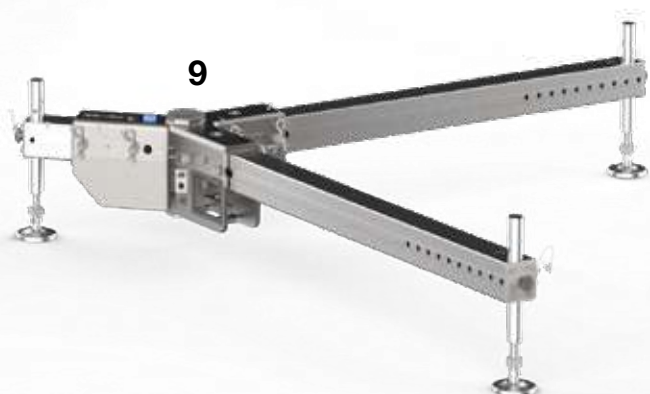
Concealed base for concrete and steel
(77 mm)

8 GNSSC-BCI077

Concealed concrete casting base (77 mm)

9 Genesi SCTY

Mobile support system Y and T configuration





Genesi SC12NW

Stability, versatility, and safety are the main features of the Genesi SC12NW system.

Thanks to the telescopic arm, it can reach an extension of 1200 mm with intermediate adjustments at 782 and 918 mm.

The wide outreach allows for the creation of a secure anchor point and ensures safety even in cases of distant access points or the presence of obstacles or impediments.

The device has been meticulously designed in every detail to be ergonomic, manageable, easy to assemble, and as lightweight as possible to make every intervention safe, effective, and efficient.

The octagonal structure and anodised aluminium of the Genesi SC12NW device make it an extremely resistant and lightweight solution capable of protecting up to 3 operators simultaneously.



Features

- Adjustable in 3 arm lengths up to 1200 mm
- Standard equipment includes two attachment plates for retractables with rescue function or winches
- Equipped with an additional anchor point
- Octagonal profile to enhance mechanical resistance
- Entirely made of anodised aluminium for lightness and protection
- Easy to install and use
- Certified for 3 operators
- Full traceability of components and documentation management with NFC tag



Compliance

- PPE Regulation 2016/425
- EN 795:2012 type B
- CEN/TS 16415:2013 type B



Genesi SC12NW

Main components

1 Cod. 118-3002-0701
Genesi SC12NW arm

2 Cod. 118-3002-1200
Genesi SC12-PNW pole

Accessories

3 Cod. 118-3002-1000
Optional fall arrest system support

4 Cod. 118-3002-0600
SC12P-575 optional extension pole

5 Cod. 118-3000-0004
Split pins and cables kit for Genesi SC12NW

Spare parts

Cod. 118-3001-1500
Pulley assembly



Cod. 179-0903-0001
Universal bracket for
adapter fixing



Cod. 118-3002-0800
Davit arm cap



Cod. 118-3003-0400
Anchor point



Cod. 661-2023-0004
110 mm pin



Cod. 661-2023-0005
140 mm pin



Cod. 118-3002-1100
Black handle



WARNING: For the correct replacement and/or installation of components, always refer to the device's instruction manual.



Genesi SC12NW

Compatible support bases

The Genesi SC12NW arm is designed and certified to be used with the dedicated support pole and one of the selectable specific bases, forming a system that ensures reliability in every work context.

The multiple types of bases and available accessories are another distinctive element of the Genesi SC12NW system. Thanks to

the SC12P-575 extension pole, the height of the system can be increased by 575 mm, providing an effective response to specific elevation needs. The flexible architecture of the Genesi SC12NW system combines with the quality of Made in Italy, to guarantee a superior level of protection in every work scenario.



1 GNSSC-BITE130

Mobile support system with clamp for Genesi SC anchoring devices

2 GNSSC-BPD103

Offset floor base for concrete or steel (103 mm)

3 GNSSC-BUMP73*

Universal wall base for all Genesi SC systems

4 GNSSC-BPC103

Central base for concrete and steel (103 mm)

5 GNSSC-BMA103

Wall base for concrete and steel (103 mm)

6 GNSSC-BCC103

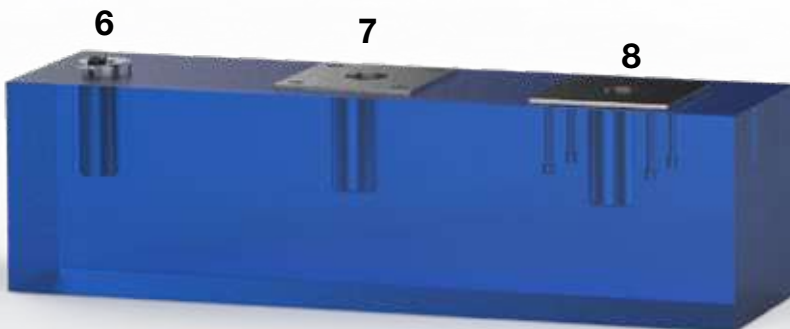
Immersion base for concrete (103 mm)

7 GNSSC-BCF103

Concealed base for concrete and steel (103 mm)

8 GNSSC-BCI103

Floor base for concrete casting (103 mm)



*Can only be used with special adapters, which must be purchased separately.





Genesi SCTY

Uniqueness and innovation meet efficiency and versatility in the new Genesi SCTY solution. This exclusive solution has been designed to provide various configurations with a single product: self-supporting, ground fixing, or tow hooking. Genesi SCTY perfectly adapts, meeting every need with a single system, and does so simply and quickly. Genesi SCTY embodies the Genesi philosophy - quality and innovation without compromise.

Genesi SCTY ensures perfect integration, guaranteeing unparalleled readiness for action. Every detail has been crafted to ensure maximum flexibility, allowing the protection of different operators based on the chosen mobile device.

The Genesi SCTY support system in all three configurations is compatible with Genesi SC6NW mobile devices (equipped with its own Genesi SC6-PNW pole), Genesi SC6F, and Genesi SC3 (with or without extension). The Genesi SCTY support is suitable for Genesi SC3, Genesi SC6F, and Genesi SC6NW.

Genesi SCTY not only offers versatile functionality but also ensures precision, speed, and stability at every stage of installation.

This is achieved through the use of an integrated bubble level, adjustable feet, and practical pins that ensure assembly without the need for specific tools.

Genesi SCTY accessories allow adaptation to all scenarios quickly and effectively.



Features

- Versatile
- Multiple adjustments
- Three configurations
- Easy to install and use
- Entirely made of aluminium
- Certified for 2 or 3 operators
- Full traceability of components and documentation management with NFC tag



Compliance

- PPE Regulation 2016/425
- EN 795:2012 type B
- CEN/TS 16415:2013 type B



Genesi SCTY

Main components

- 1 **Central core GNSSC (1 unit)**
- 2 **Adjustable and orientable support feet (3 units)**
- 3 **Main stabilization bars (2 units) of 1300 mm**
- 4 **Self-supporting stabilization bar (1 unit)**

T-configuration accessories

- 5 Cod. 122-3014-1001
GNSSC-FIXM16 for ground fixing
- 6 Cod. 122-3014-1002
GNSSC-FIXVAN for tow hook fixing

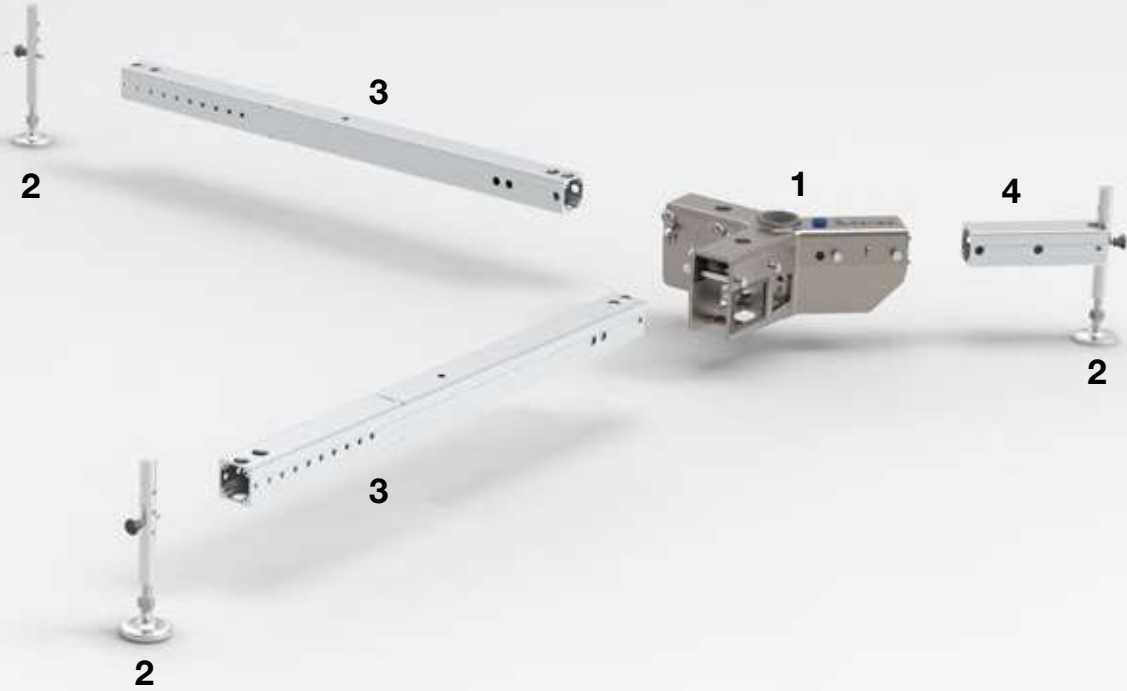


Central GNSSC core

The central core is made of aluminium alloy, is part of the main elements of the system (together with the feet and stabilization bars), and integrates a bubble level for correct horizontal positioning.

WARNING: For the correct replacement and/or installation of components, always refer to the device's instruction manual.

Possibilities multiply



Genesi SCTY

Possible configurations

Self-supporting

The assembly in a self-supporting configuration creates a stable support for the installation of Genesi SC mobile devices. The bars are fixed to the core with safety pins and the adjustable feet allow leveling through an integrated bubble.



Ground fixing

The 'T' configuration transforms SCTY into a portable support bound to the substrate via the GNSSC-FIXM16 accessory (single M16 or double M12 mechanical fixing, provided separately), ensuring stability even on exposed stations.

Cod. 122-3014-1001

GNSSC-FIXM16

Adjustable ground fixing



Genesi SCTY

Possible configurations

Towing hook fixing

As an alternative to ground mounting, the “T” configuration can be connected to the vehicle’s tow hook using GNSSC-FIXVAN or GNSSC-FIXVAN-L (optional accessories), enhancing mobility between operational sites.

Cod. 122-3014-1003

GNSSC-FIXVAN-L

Non-adjustable tow hook mounting

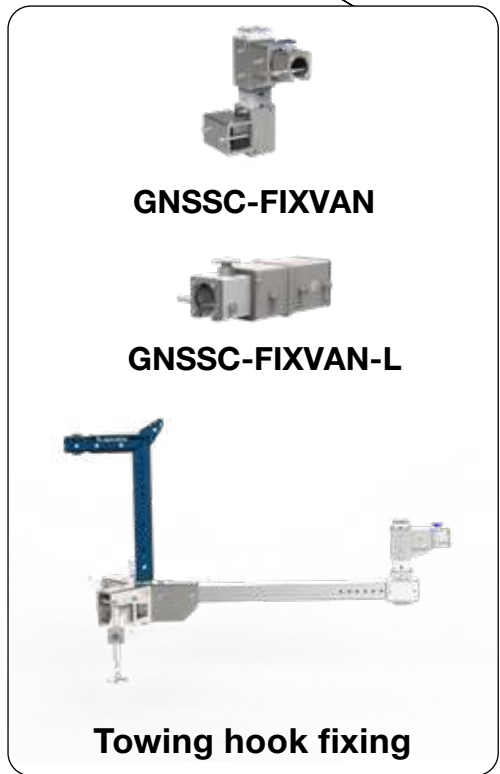
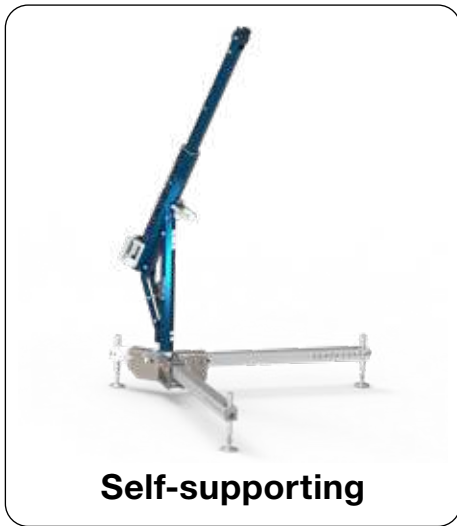


Cod. 122-3014-1002

GNSSC-FIXVAN

Adjustable tow hook mounting







SCTY-Guard

Genesi SCTY-Guard is a protective barrier designed to ensure maximum safety when working in confined spaces. Solid, reliable and intuitive, it is the ideal solution for preventing accidental falls and protecting the work area, transforming a high-risk environment into a safe space.

When working in confined spaces, perimeter protection is essential: SCTY-Guard was created to solve this problem with a practical and effective system that clearly delimits the area, increases visibility and minimises risks.

Its added value lies in its unique combination of safety, practicality and innovation.

SCTY-Guard integrates perfectly with the Genesi SCTY system, adapting to both Y and T configurations, offering stable and secure protection in every scenario involving access to confined spaces.

Made of high-strength aluminium, it combines lightness and strength. The adjustable modules and hinges with safety knobs ensure maximum adaptability and ease of use without compromising the stability of the structure.

Furthermore, thanks to its foldable design, Genesi SCTY-Guard can be easily transported quickly and without taking up too much space.

Features

- Aluminium structure
- Adjustable modules
- Integration with the Genesi SCTY system (Y and T configuration)
- Foldable for easy and quick transport
- High-visibility perimeter boundary





GENESI

GENESI

GNSSC BUMP73 Base

**Reduce the superfluous,
choose the essential: twelve
bases in a single solution**

The GNSSC-BUMP73 base can be used both on walls and floors. Made from a single aluminium body, it guarantees exceptional mechanical and chemical resistance. Its lightness and robustness facilitate installation in any context, ensuring a high level of safety and durability at the same time.

By using specific adapters, it can support mobile anchoring devices such as Genesi SC3, Genesi SC6NW, Genesi SC6F, or the Genesi SC12NW device.

With GNSSC-BUMP73, Genesi offers a solution that combines innovation, practicality, and resistance, ensuring the excellence of Made in Italy, enhancing performance and versatility, and offering a revolutionary solution in its kind.



GNSSC- BUMP73

GNSSC-BUMP73 is the patented base that can be used for both wall and floor installation, made with a single aluminium body to ensure exceptional mechanical and chemical resistance.

GNSSC-BUMP73 is the emblem of design conceived to meet a wide range of needs in a single solution. This base is ideal for all Genesi SC systems. Its lightness and robustness facilitate installation in any context, ensuring at the same time a high level of safety and durability.

Flexibility is a distinctive feature of GNSSC-BUMP73, through the use of specific adapters, it can support mobile anchoring devices Genesi SC3, Genesi SC6NW, Genesi SC6F, or the Genesi SC12NW device.

With GNSSC-BUMP73, Genesi offers a solution that combines innovation, practicality, and resistance, guaranteeing the excellence of Made in Italy, enhancing performance and versatility, and providing a revolutionary solution in its kind.





Features

- Patented base
- Versatile
- Lightweight and compact
- Easy to install
- Entirely in aluminium
- Certified for 2 or 3 operators
- Usable with all Genesi SC devices
- Full traceability of components and documentation management with NFC tags



Compliance

- EN 795:2012
- CEN/TS 16415:2013



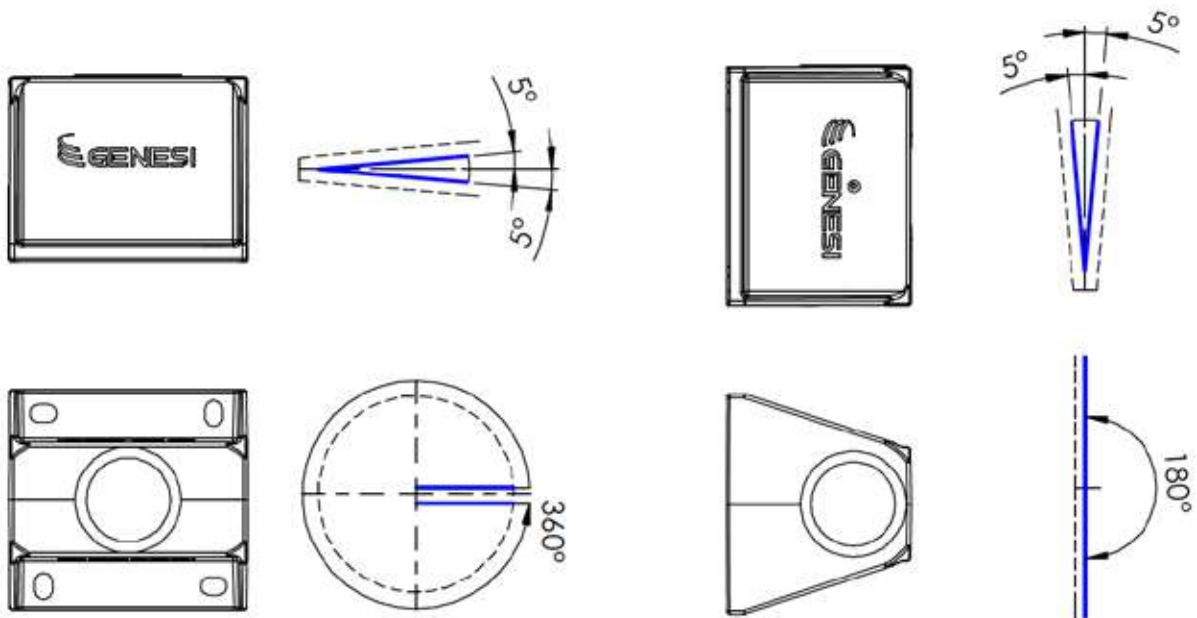
GNSSC-BUMP73

Technical specifications

Compatible with Genesi SC12NW, Genesi SC6NW, Genesi SC6F, Genesi SC3.

GNSSC-BUMP73 is the universal multifunctional aluminium base: floor or wall installation. A solution for multiple devices in the SC series: fewer components to manage and greater versatility on site. The monoblock aluminium structure prioritizes lightness and maneuverability for frequent movements between operational sites. The two mounting modes (floor/wall) allow adaptation to the access geometry while maintaining the correct operational field, and compatibility

with the SC range through dedicated adapters expands reuse and interchangeability of configurations. When required, provisions with concealed threaded bushings allow the area to be cleared between interventions, speeding up repetitive installations. The result is a tidy setup, reduced setup times, and continuity of service even in confined spaces or sites with variable needs





Cod. 121-3008-0001

Universal Base GNSSC-BUMP73

Installable on horizontal surfaces and walls. It can be used with the entire range of davit arms.

Accessories

Cod. 171-3903-0003

Adapter



Adapter \varnothing 103 mm in PVC for universal base, for Genesi SC12NW and Genesi SC12.

Cod. 171-3903-0004

Adapter



Adapter \varnothing 77 mm in PVC for universal base, for Genesi SC3, Genesi SC6F, Genesi SC6, Genesi SC6NW.





Genesi Bases

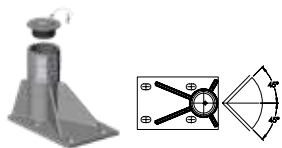


Genesi Bases

Compatible with Genesi SC6NW, Genesi SC3,
Genesi SC6F

Cod. 121-3011-1077

GNSSC-BPD077



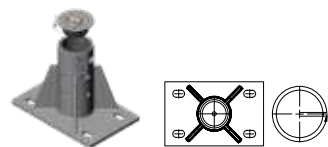
Offset floor base for concrete and steel (77 mm).

Material: steel

Weight: 12.5 kg

Cod. 121-3011-0077

GNSSC-BPC077



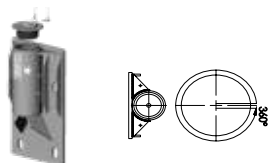
Centered floor base for concrete and steel (77 mm).

Material: steel

Weight: 12.5 kg

Cod. 121-3012-0077

GNSSC-BMA077



Wall base for concrete and steel (77 mm).

Material: steel

Weight: 15.5 kg

Cod. 121-3013-0077

GNSSC-BCC077



Immersion base for concrete (77 mm).

Material: steel

Weight: 7 kg

Cod. 121-3013-1077

GNSSC-BCF077



Retractable base for concrete and steel (77 mm).

Material: steel

Weight: 10 kg

Cod. 121-3013-2077

GNSSC-BCI077



Flush base for concrete (77 mm).

Material: steel

Weight: 12 kg

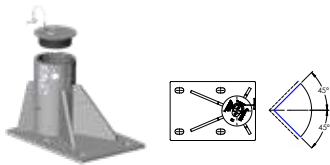
To ensure safety, the support bases must be chosen according to the configuration and structure of the site to be protected, the activity to be carried out, and the geometry of the access.

Genesi Bases

Compatible with Genesi SC12NW

Cod. 121-3011-1103

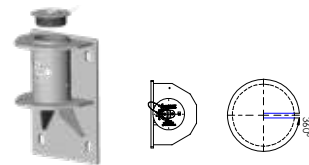
GNSSC-BPD103



Offset floor base for concrete or steel (103 mm).
Material: steel
Weight: 18 kg

Cod. 121-3012-0103

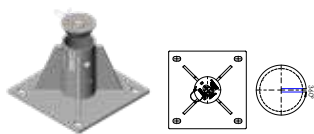
GNSSC-BMA103



Wall base for concrete or steel (103 mm).
Material: steel
Weight: 22 kg

Cod. 121-3011-0103

GNSSC-BPC103



Centered floor base for concrete or steel (103 mm).
Material: steel
Weight: 23 kg

Cod. 121-3013-0103

GNSSC-BCC103



Immersion base for concrete (103 mm).
Material: steel
Weight: 9 kg

Cod. 121-3013-1103

GNSSC-BCF103



Recessed base for concrete or steel (103 mm).
Material: steel
Weight: 15 kg

Cod. 121-3013-2103

GNSSC-BCI103



Floor base for concrete casting (103 mm).
Material: steel
Weight: 17 kg





GNSSC-BITE130

GNSSC-BITE130 is the mobile clamp support system compatible with Genesi SC mobile anchor devices.

This system is designed to be installed non-permanently on metal structures capable of withstanding the simultaneous fall of two operators.

Solid, versatile and reliable, GNSSC-BITE130 has been developed to ensure safe access, exit and rescue in complex or difficult confined spaces.

The device complies with PPE Regulation 2016/425, EN 795:2012 and CEN/TS 16415:2013 Type B standards, allowing up to two operators to be protected simultaneously.

Features

- Versatile
- Compact
- Certified for 2 operators
- Can be used with all Genesi SC devices
- Easy to install
- Use with adapter:
 - Genesi SC3
 - Genesi SC6
 - Genesi SC6F
 - Genesi SC6NW
- Use without adapter:
 - Genesi SC12
 - Genesi SC12NW



Compliance

- PPE Regulation 2016/425
- EN 795:2012 type B
- CEN/TS 16415:2013 type B





Horizontal access





Genesis SCPH

Lightweight, compact, and durable: these are just some of the features that distinguish the Genesis SCPH pole hoist.

A lightweight and ergonomic solution, installable in any type of working environment, whether it is vertical or horizontal access.

Three supports are available: SCPH-P-SM, SCPH-P, and SCPH-P-XL, which cover a height range from 363 mm to 1894 mm.

Genesis SCPH is certified for two operators.

The Genesis SCPH hoist must be fixed to an anchor point of type A or B.

A certified anchor point for two operators, GNSSC-AFSCPH, is available to be fixed directly to a flange.



Features

- Versatile and ergonomic
- Ease of use and transport
- Lightweight and compact
- Standard equipment includes a plate for connecting a fall arrest device
- An additional attachment plate for two fall arrest devices is available
- Entirely in anodised aluminium
- Easy to install and use
- Certified for 2 operators
- Full traceability of components and documentation management with NFC tags



Compliance

- PPE Regulation 2016/425
- EN 795:2012 type B
- CEN/TS 16415:2013 type B



Genesi SCPH

Main components

- 1** Cod. 118-3005-0700
Genesi SCPH arm
- 2** Cod. 118-3005-1800
Articulated pole for Hoist SCPH-P-SM (363 mm - 403 mm)
- 3** Cod. 118-3005-0800
Articulated pole for Hoist SCPH-P (909 mm - 1224 mm)
- 4** Cod. 118-3005-1400
Articulated pole for Hoist SCPH-P-XL (1159 mm - 1894 mm)

Accessories

- 5** Cod. 118-3005-0900
Optional double SCPH support
- 6** Cod. 131-3010-0000
Anchor point GNSSC-AFSCPH
- 7** Cod. 118-3000-0001; Cod. 118-3000-0002
Split pins

Spare parts

Cod. 179-0903-0001
Universal bracket for
adapter fixing



Cod. 118-3005-1500
Pulley assembly



Cod. 661-2023-0004
110 mm pin



Cod. 661-2023-0005
140 mm pin



WARNING: For the correct replacement and/or installation of components, always refer to the device's instruction manual.



GNSSC-AFSCPH

Mobile anchor device

GNSSC-AFSCPH is a mobile anchor device designed to provide a type A anchor point in accordance with EN 795:2012 standard, allowing access, exit and rescue in emergencies from confined spaces with maximum effectiveness.

The system is designed to be installed directly on tank flanges and to allow connection to the Genesi SCPH mobile anchor system or, alternatively, to act as an anchor point for fall arrest systems. Its structure incorporates two connection ball pins or pins with safety lever, which can be positioned in the housing holes in the support plates.

Each pin can protect only one user, preventing two operators from connecting to the same fixing point, thus ensuring maximum safety.

Its design makes it particularly suitable for confined spaces with limited outdoor areas, where safety must be combined with practicality of use.

GNSSC-AFSCPH is intuitive and safe to use. The operator connects to the device using a connector that complies with EN 362 standard, attaching it to the connection ball pin or pin with safety lever.

The device incorporates two independent connection pins: once correctly inserted into the housing holes of the plates, each pin can only be used by one operator. This system eliminates the risk of unauthorised multiple connections at the same point, thus increasing the overall safety of operations.

One of its distinctive features is the ability to protect up to two users simultaneously, while ensuring resistant and regulatory compliance (EN 795:2012 type A and CEN/TS 16415:2013 type A).

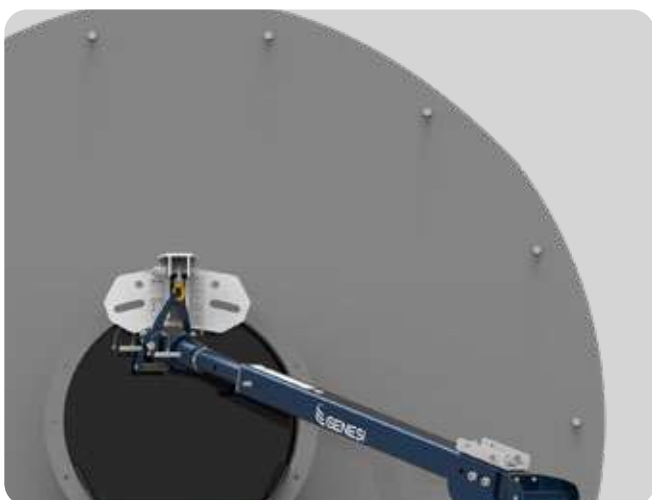
GNSSC-AFSCPH represents an advanced and reliable technical solution for those looking for a safe, practical and compliant anchor system for activities in confined spaces.





Features

- Designed to ensure resistant, practicality and maximum safety
- Suitable for access, exit and emergency rescue from confined spaces
- Particularly suitable for confined spaces with limited external space
- Direct installation on tank flanges
- Compatible with the Genesi SCPH mobile anchor system
- Can be used as an anchor point for fall arrest systems
- Structure with two independent connection pins, each one certified for a single operator
- Protection for up to two operators simultaneously
- Intuitive and safe to use



Compliance

- EN 795:2012 type A
- CEN/TS 16415:2013 type A



GNSSC-AFSCPH-P

Extension for mobile anchor device

Genesi GNSSC-AFSCPH-P device acts as an extension for GNSSC-AFSCPH punctual anchor device, providing secure support for operators working in confined spaces.

The system is designed to connect GNSSC-AFSCPH-P mobile device directly to GNSSC-AFSCPH anchor device.

This configuration allows the functionality of the anchor point to be extended quickly and easily, transforming it into a flexible solution suitable for a wide range of operating scenarios. The integration has been designed and tested to ensure maximum compatibility and reliability.

From a practical point of view, the device allows the anchor point to be moved according to operational needs.

This feature is particularly useful during extraction manoeuvres from confined spaces, where mobility and rapidity can make the difference.

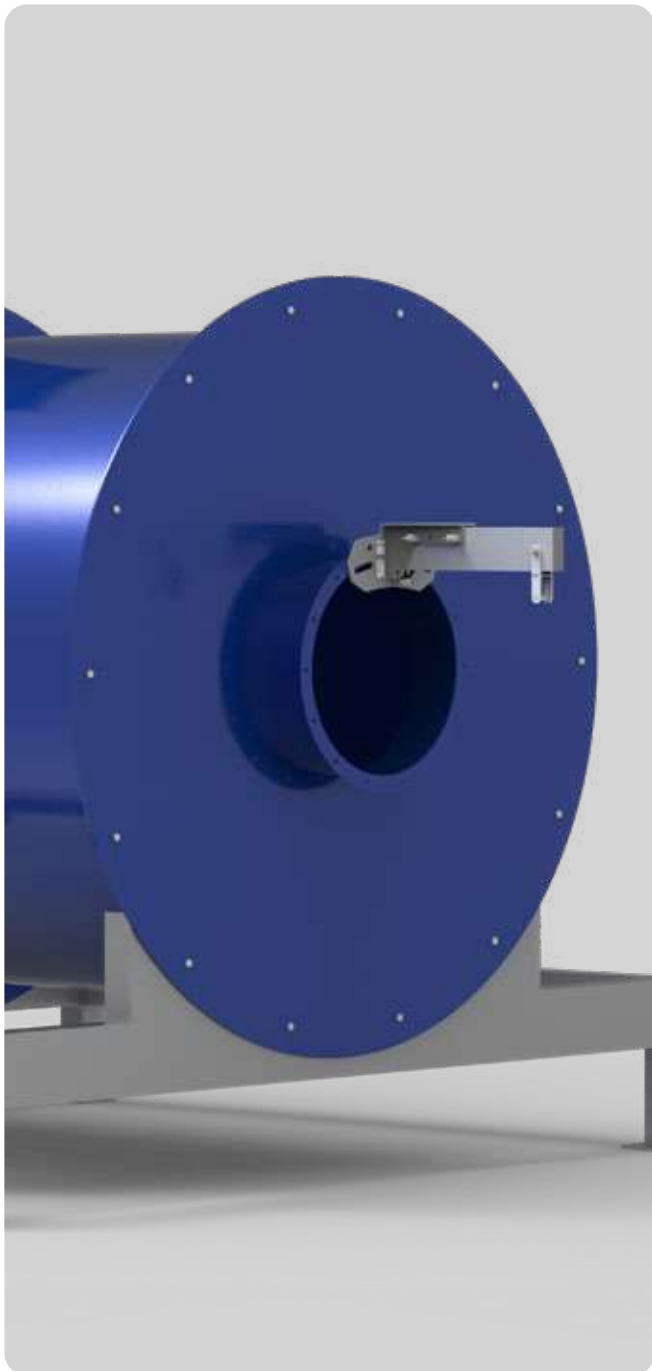
It is intuitive to use, making it easier to manage operations without compromising safety.

One of its distinctive features is the ability to anchor two users simultaneously.

The device complies with PPE Regulation 2016/425, EN 795:2012 type B and CEN/TS 16415:2013 type B standards.

Genesi GNSSC-AFSCPH-P guarantees greater operational efficiency, risk reduction and optimal protection in all phases of work and emergencies.





Features

- Compatibility with GNSSC-AFSCPH anchor device
- Anchor point displacement
- Versatile
- Simultaneous use by two operators
- Quick setup



Compliance

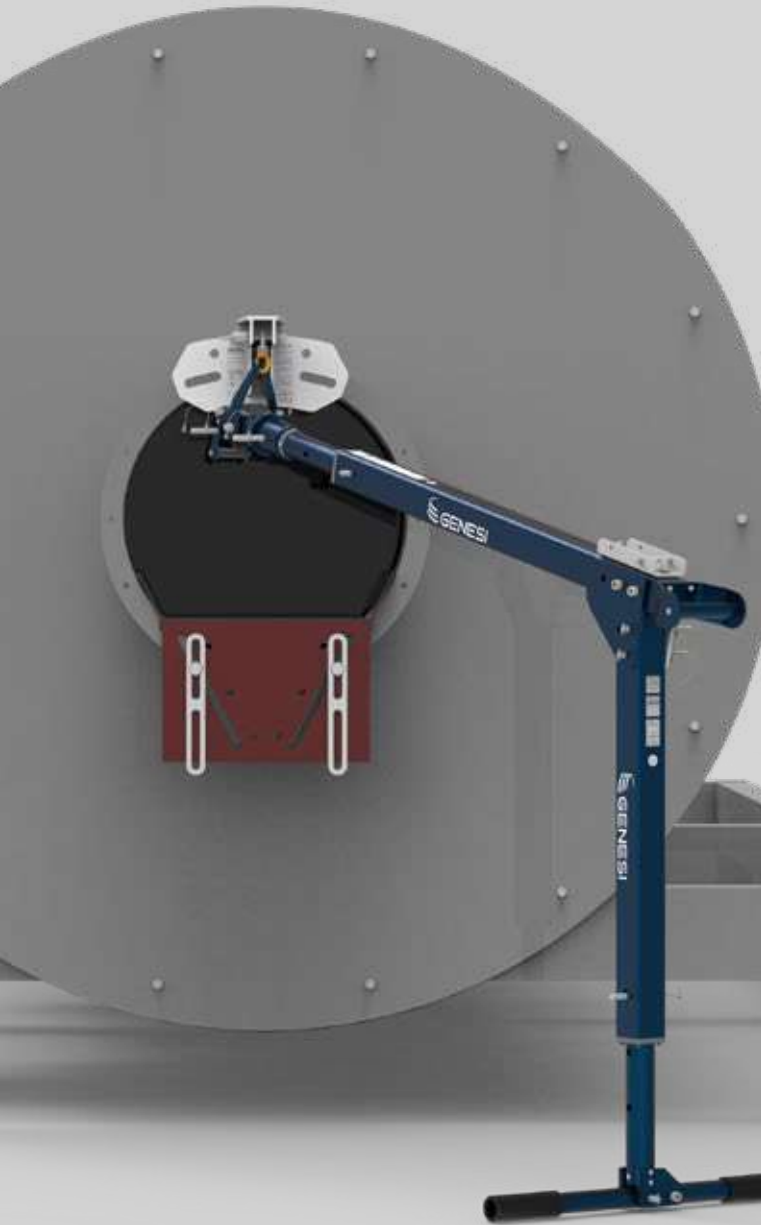
- PPE Regulation 2016/425
- EN 795:2012 type B
- CEN/TS 16415:2013 type B



Rescue Slider

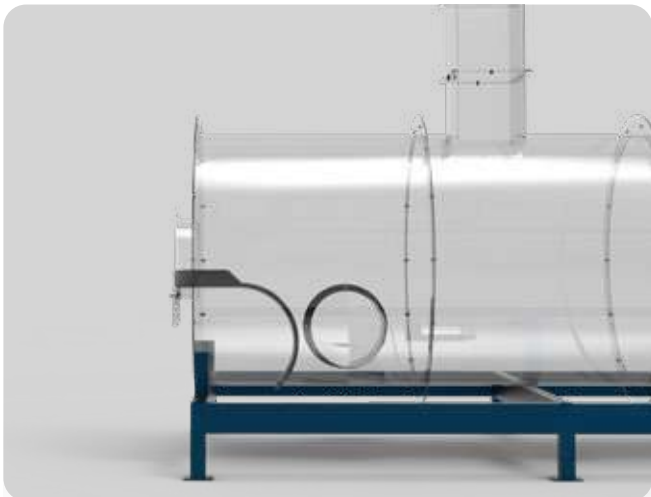
Range of devices designed to facilitate and protect operators during access and rescue operations from confined spaces or environments suspected of contamination. The rescue sliders ensure maximum ergonomics, speed, and safety during extraction: they assist in the safe rescue of the operator in case of emergency, eliminating the risk of possible spinal column damage, facilitating rescue maneuvers, and optimizing the number of people involved in the procedures.

High-performance materials with reduced weight facilitate transport and reduce installation times. An antistatic plastic version is also available, ideal for potentially explosive environments.



Features

- Versatile and practical
- Suitable for horizontal rescue
- Protects against spinal column damage
- ATEX version
- Climbable





GNSSC- ADAORI

GNSSC-ADAORI is the omnidirectional and innovative plate that stands out for its unique versatility: with 400 possible positions, it can adapt to the most varied and complex needs. Certified in compliance with the EN 795:2012 type A standard and the CEN/TS 16415:2013 type A, GNSSC-ADAORI allows simultaneous protection for up to two operators, thus ensuring time optimization and maximum safety. The design of the adjustable plate allows the device to be adapted to multiple operational needs, ensuring unprecedented operational efficiency.

The structure of GNSSC-ADAORI is entirely made of anodised aluminium, to ensure lightness and robustness. This adjustable plate offers the possibility of being fully adjusted in the surrounding space, allowing installation on walls, floors, inclined or special structures.

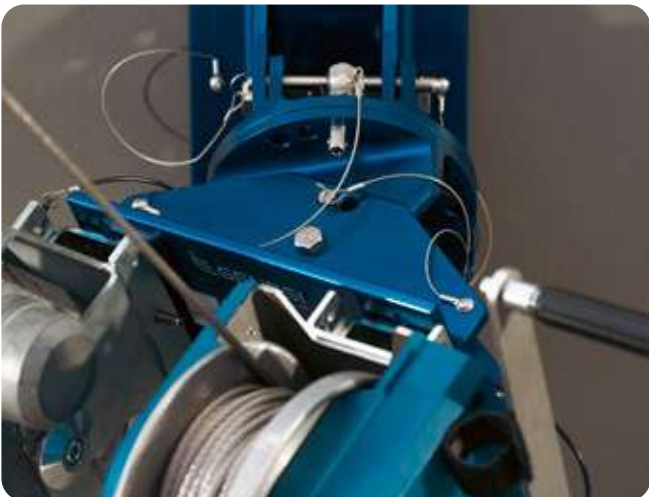
Imagine a world where you can protect your operators with a single, versatile plate. A world where you can install this plate even in the most inaccessible places, those confined environments that until recently were inaccessible for any other device.

Thanks to GNSSC-ADAORI, every work environment can become a safe, accessible, and functional place. Protection without compromise, unparalleled versatility, unmatched efficiency. Now, all this has become reality.



Features

- Versatile
- Quick adjustment
- Ergonomics and ease of use
- Lightweight and compact
- Standard equipment of two plates for connecting two fall protection devices
- Entirely in anodised aluminium
- Ease of use and transport
- Certified for 2 operators



Compliance

- EN 795:2012 type A
- CEN/TS 16415:2013 type A



GNSSC-ADAORI

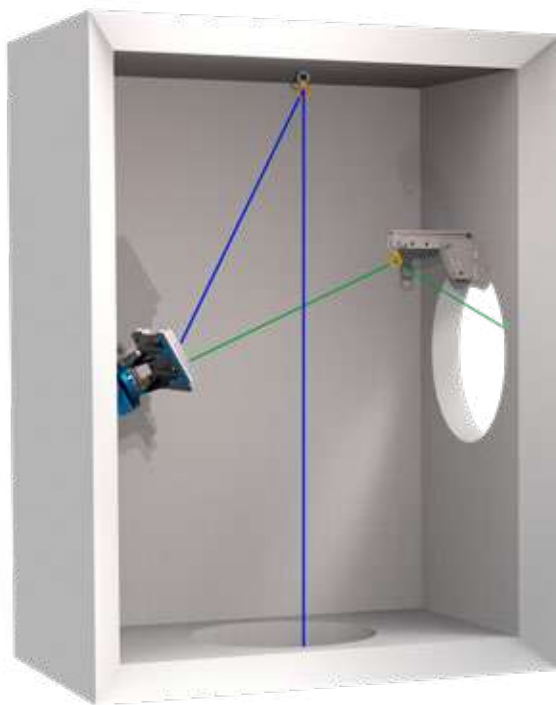
Technical specifications

The GNSSC-ADAORI swivel plate is a versatile and omnidirectional plate that serves as an anchor point for two fall arrest devices or winches and is certified for the simultaneous use of 2 operators in accordance with EN 795:2012 type A and CEN/TS 16415:2013 type A.

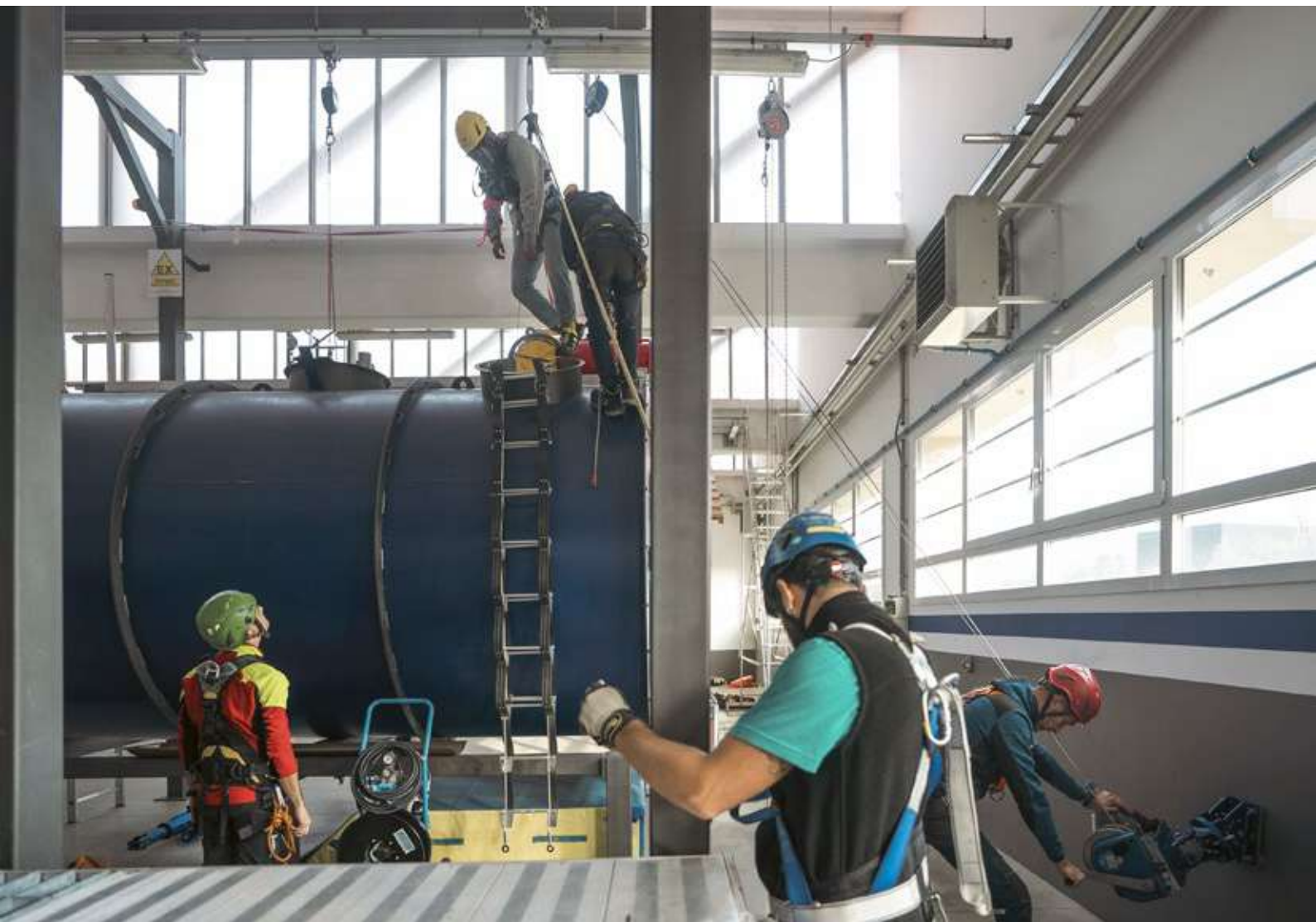
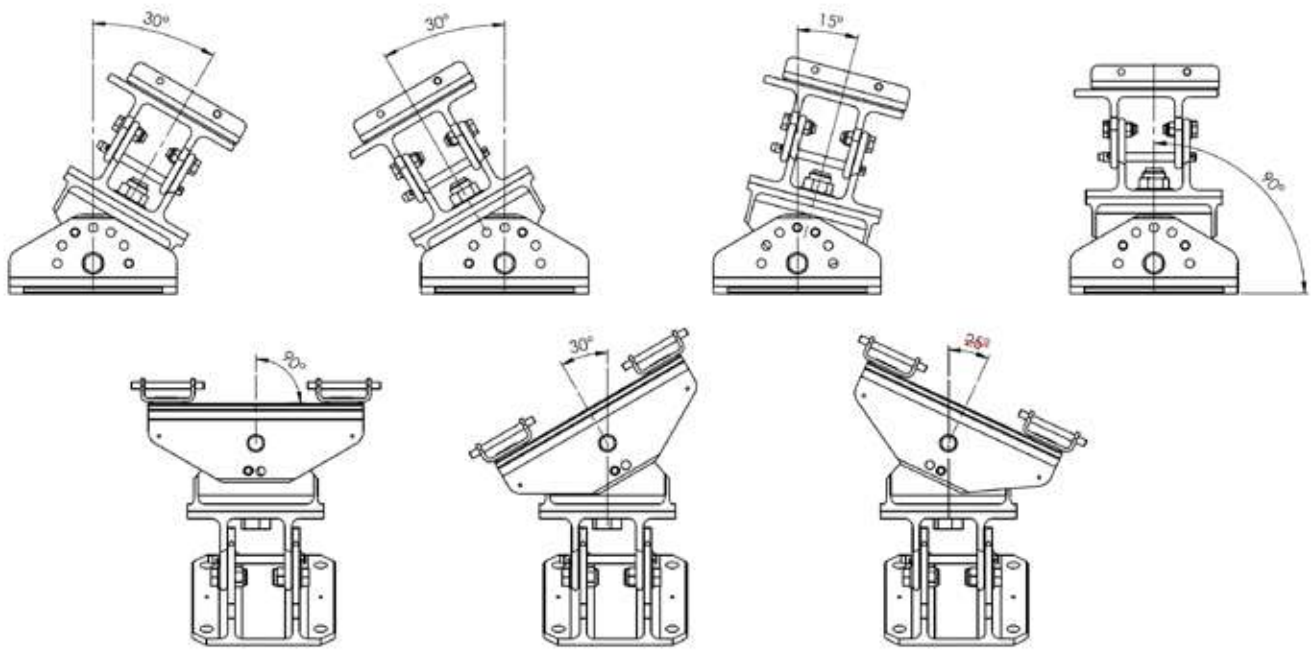
Entirely made of aluminium alloy to ensure lightness and solidity, thanks to its full spatial adjustment, it can be installed on walls, floors, or inclined or special structures, so that the cable exit direction is in the optimal

position to ensure the full safety of the operator entering the confined space.

The certification for two operators allows for the protection of both the support operator and the operator entering the confined environment. The plate is standardly supplied with two supports for connecting retractables or winches or anchor point adapters and NFC tags to store installation and maintenance parameters.



- Vertical extraction
- Horizontal extraction

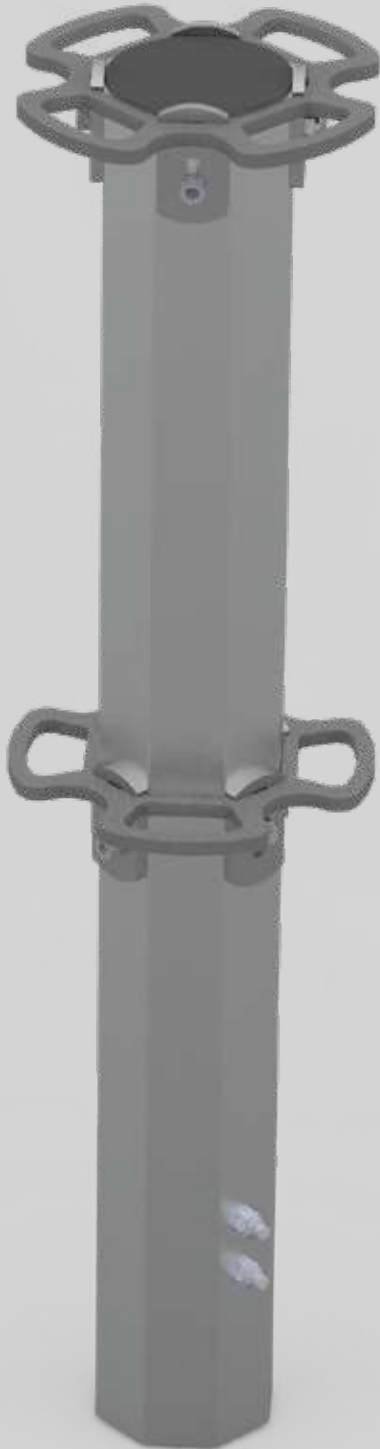


SC-Octagon

SC-Octagon system is a mobile anchor device designed to offer protection and reliability to operators working in complex environments. Compliant with PPE Regulation 2016/425, EN 795:2012 type B and CEN/TS 16415:2013 type B standards.

Work at height and in environments such as caves or mines are scenarios where it is essential to have solutions that are quick to install and versatile. SC-Octagon, together with its GNSSC-ROOT base, meets this need with a modular and robust design. The device can also be installed on compatible Genesi SC bases, depending on the geometry of the site and the direction of work required, ensuring maximum mobility and protection.

SC-Octagon device can be used as an anchor point for up to 3 operators simultaneously or in a dual configuration as a support for temporary lifelines.



Features

- Can be installed on compatible Genesi SC bases
- Versatile
- Simultaneous use by 3 operators
- Quick installation
- Ideal for environments such as caves and mines



Compliance

- PPE Regulation 2016/425
- EN 795:2012 type B
- CEN/TS 16415:2013 type B



Adapters for retractable devices and winches

Cod. 171-3901-0001

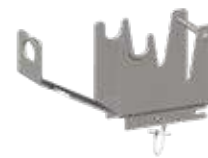
GNSSC-AIK1224



Adapter for IKAR HRA-12 (SOIT204-12), HRA-18 (SOIT204-18) and HRA-24 (SOIT204-24).

Cod. 171-3901-0002

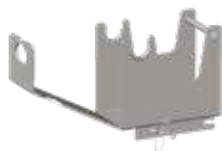
GNSSC-AIK033



Adapter for IKAR HRA-33 (SOIT204-33).

Cod. 171-3901-0003

GNSSC-AIK042



Adapter for IKAR HRA-42 (SOIT204-42).

Cod. 171-3901-0006

GNSSC-AMSAWR



Adapter for MSA Workman Rescuer and Workman Winch.

Cod. 171-3901-0009

GNSSC-APR300



Adapter for Protekt CRW300 (SOIT083).

Cod. 171-3901-0008

GNSSC-APR200



Adapter for Protekt CRW200 (SOIT114).

Cod. 171-3901-0015
GNSSC-AKR1030



Adapter AKR1030 for Kratos FA2040110/FA2040120/
FA2040130.

Cod. 171-3901-0017
GNSSC-APIAR-NW



Adapter for Protekt RUP 502/ RUP 502T (SOIT006 – 006M)
and IKAR PLW (SOIT219).







RS08
IMPIANTO
FUORI SERVIZIO

GENESI







Address

Via Donizetti, 109/111
24030 Brembate di Sopra
Bergamo (Italy)

Contacts

Tel. +39 035 620 380
Email: info@genesiprotection.com
www.genesiprotection.com

Social



Visit our website

